

AREA D
15,982 Acres

AREA B
719 Acres

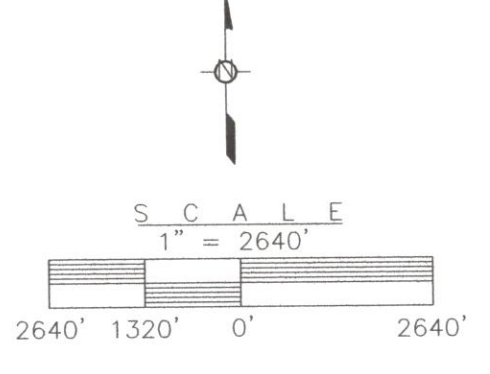
AREA A
2,242 Acres

Surface Permit Area
390.3 Acres

AREA E
2,345 Acres

AREA C
230 Acres

- LEGEND**
- Surface Permit Boundary
 - Watershed Boundary
 - Surface/Groundwater CIA Boundary
 - - - Groundwater CIA Subflow Boundary
 - Agricultural Drainage Tile
 - Potentiometric Groundwater Surface Contour
 - Groundwater Flow Direction



PERMIT AREA LOCATION
T.18N - R.14W, SEC. 26, 35
ALL IN VERMILION COUNTY, IL

SUNRISE COAL, LLC
1183 EAST CANVASBACK DR. TERRE HAUTE, IN 47802

SURFACE WATER/GROUNDWATER CUMULATIVE IMPACT AREA

MINE: BULLDOG MINE	PERMIT:
DATE: FEBRUARY 2012	CHECKED BY:
SCALE: SEE BARSCALE MAP: SW/GW CIA	
SUBMITTED BY: MIDWEST RECLAMATION RESOURCES INC.	
MURPHY'S BOX 1642	
SPRINGFIELD, IL 62866	
618-687-5590	

FILE NO. CHIA Map.dwg