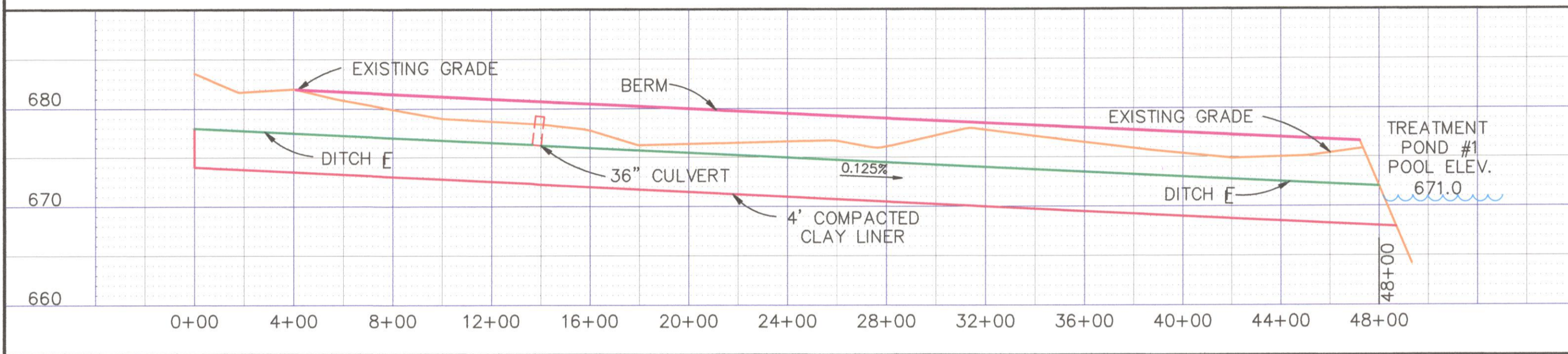
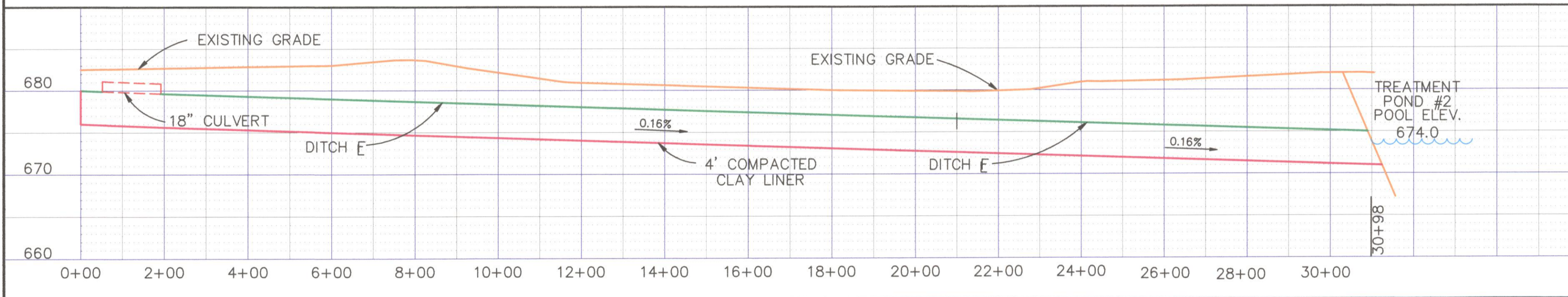


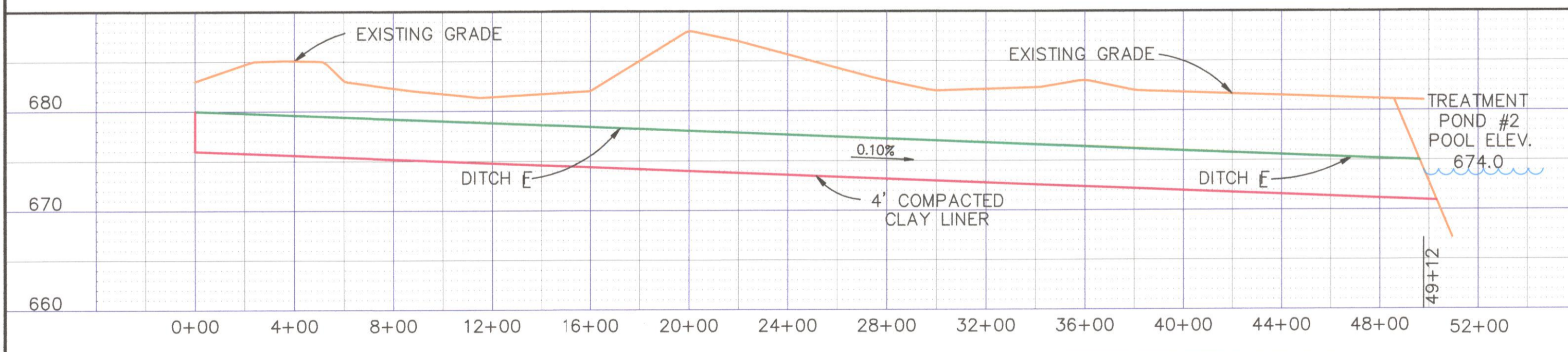
PROFILE COLLECTOR DITCH #5
SCALE: 1" = 100' HORIZ.
1" = 10' VERT.



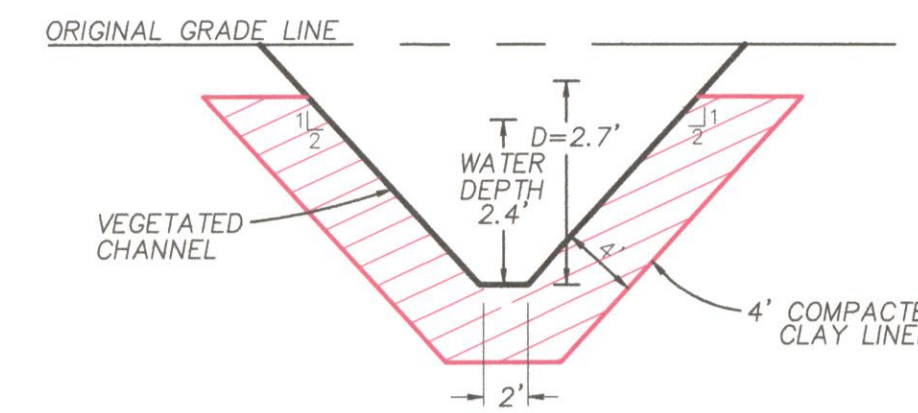
PROFILE COLLECTOR DITCH #6
SCALE: 1" = 400' HORIZ.
1" = 10' VERT.



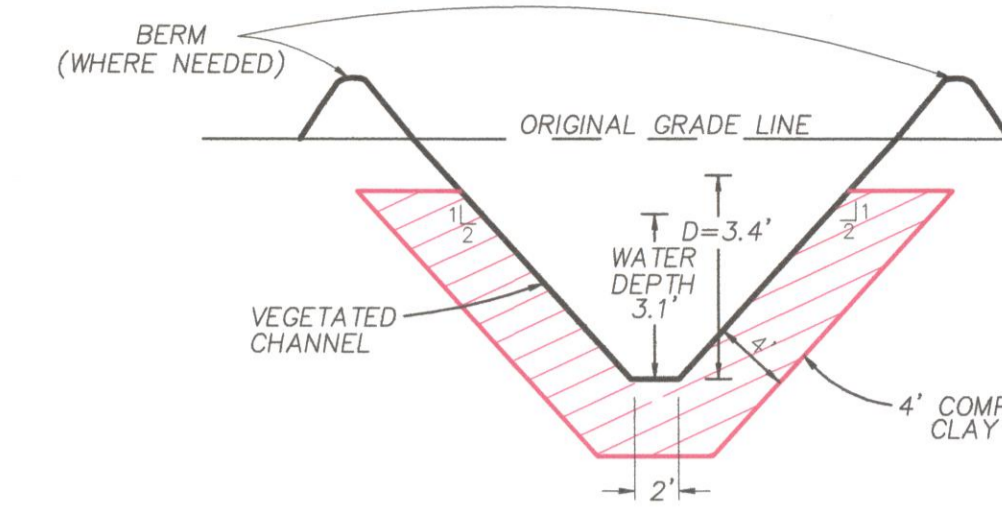
PROFILE COLLECTOR DITCH #7
SCALE: 1" = 200' HORIZ.
1" = 10' VERT.



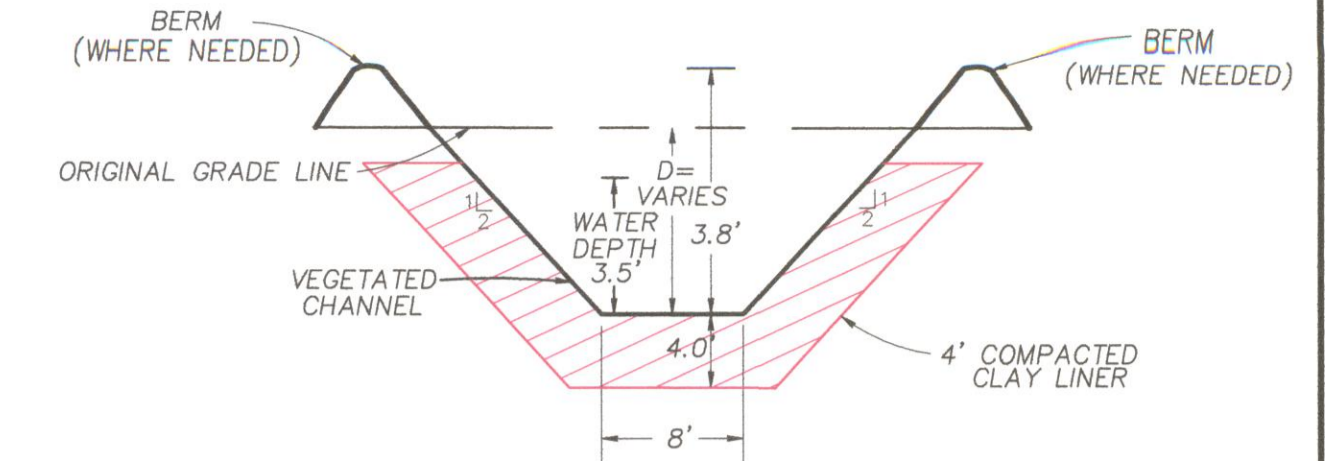
PROFILE COLLECTOR DITCH #8
SCALE: 1" = 400' HORIZ.
1" = 10' VERT.



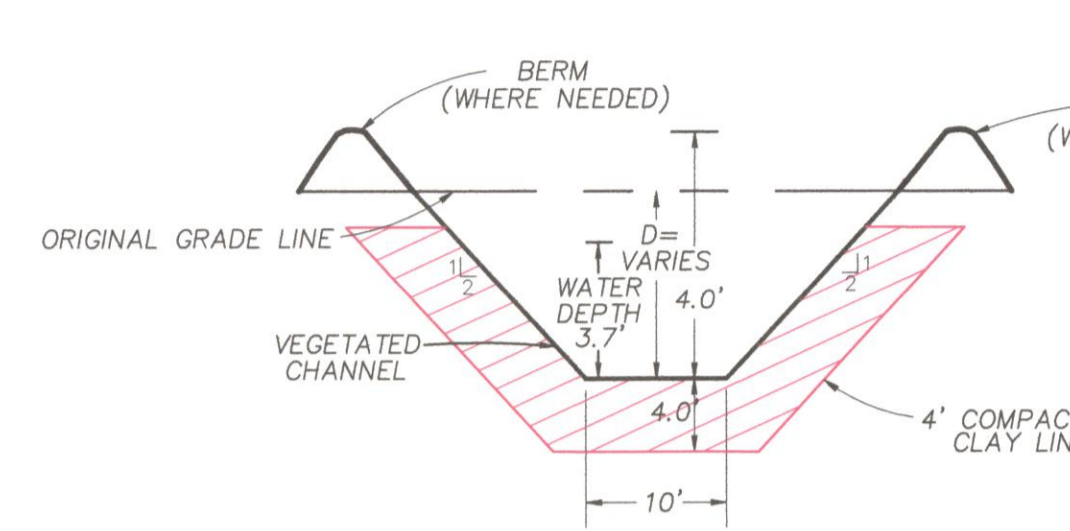
TYPICAL CROSS SECTION
COLLECTOR DITCH #5
STA. 0+00 - 3+84
NOT TO SCALE



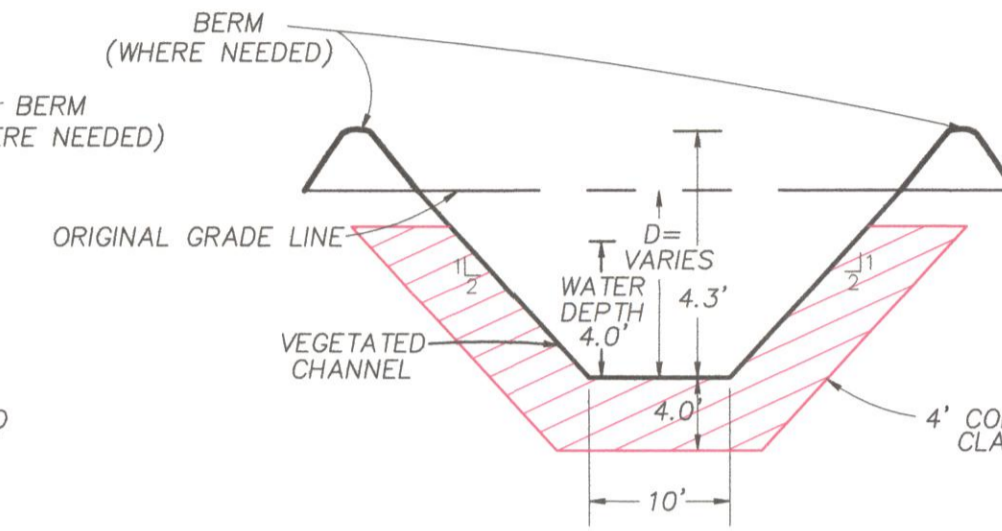
TYPICAL CROSS SECTION
COLLECTOR DITCH #5
STA. 4+74 - 9+44
NOT TO SCALE



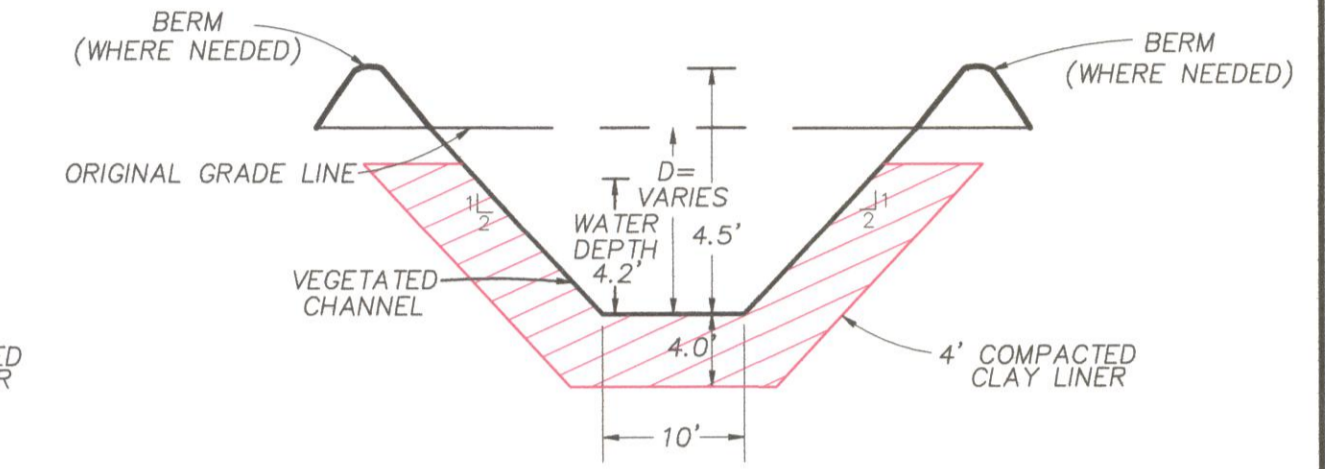
TYPICAL CROSS SECTION
COLLECTOR DITCH #6
STA. 0+00 - 13+65
NOT TO SCALE



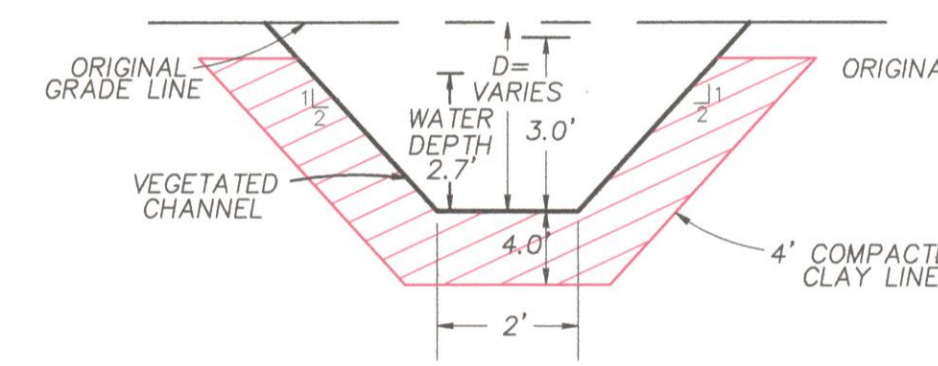
TYPICAL CROSS SECTION
COLLECTOR DITCH #6
STA. 14+00 - 25+50
NOT TO SCALE



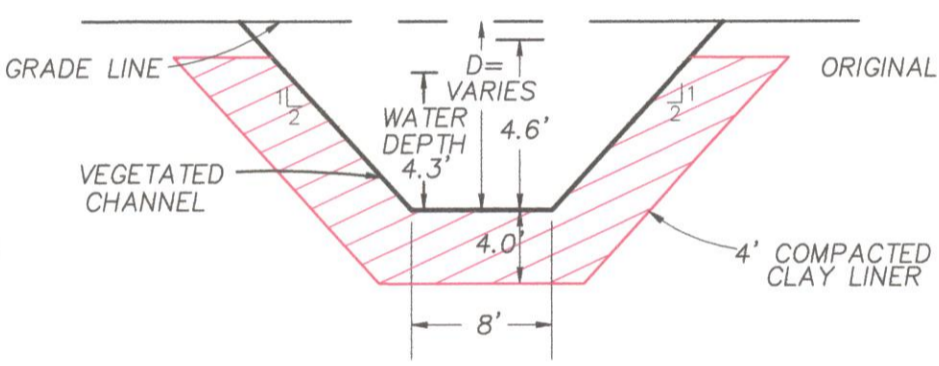
TYPICAL CROSS SECTION
COLLECTOR DITCH #6
STA. 25+50 - 35+50
NOT TO SCALE



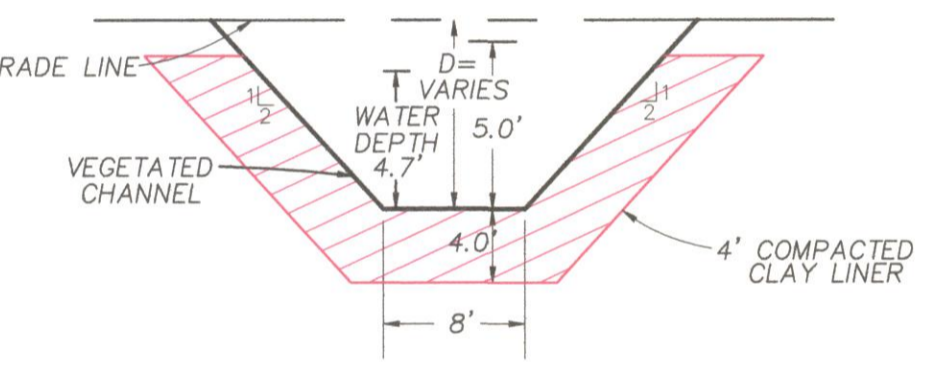
TYPICAL CROSS SECTION
COLLECTOR DITCH #6
STA. 35+50 - 48+00
NOT TO SCALE



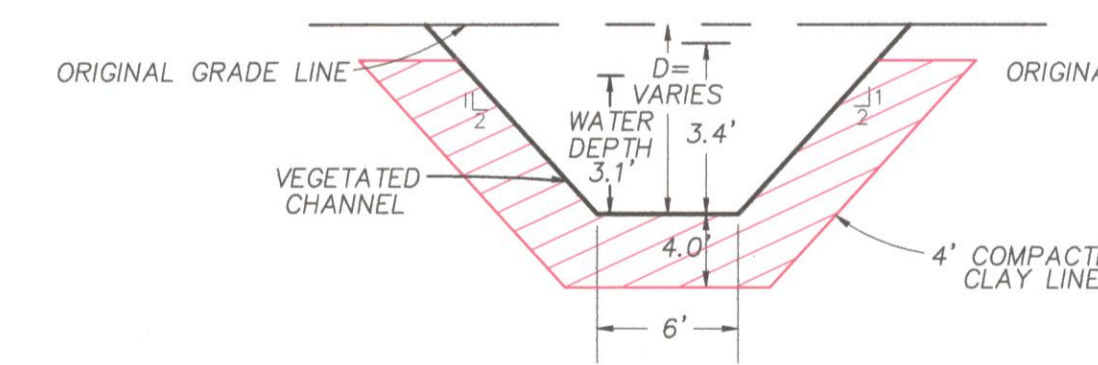
TYPICAL CROSS SECTION
COLLECTOR DITCH "7"
STA. 0+00 - 0+52
NOT TO SCALE



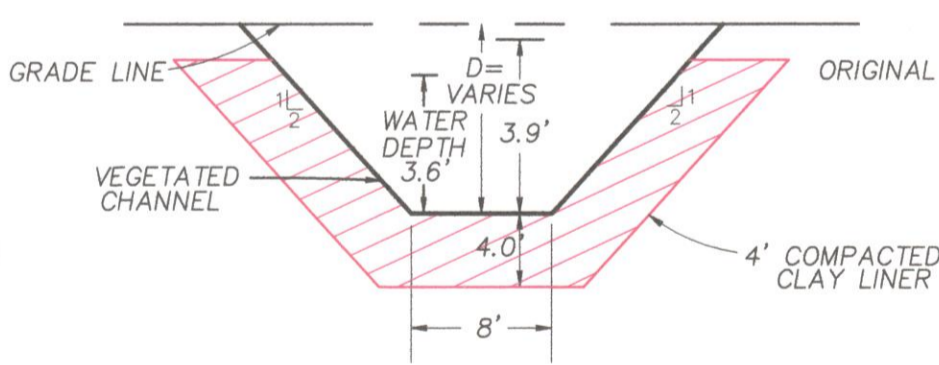
TYPICAL CROSS SECTION
COLLECTOR DITCH "7"
STA. 1+40 - 21+00
NOT TO SCALE



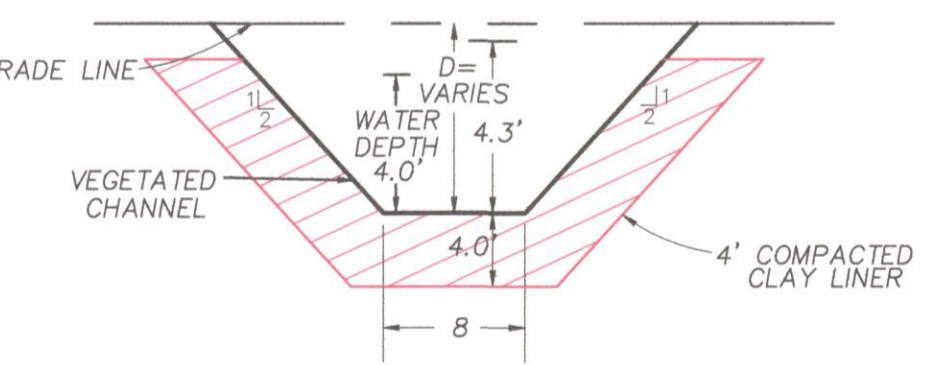
TYPICAL CROSS SECTION
COLLECTOR DITCH "7"
STA. 21+00 - 30+98
NOT TO SCALE



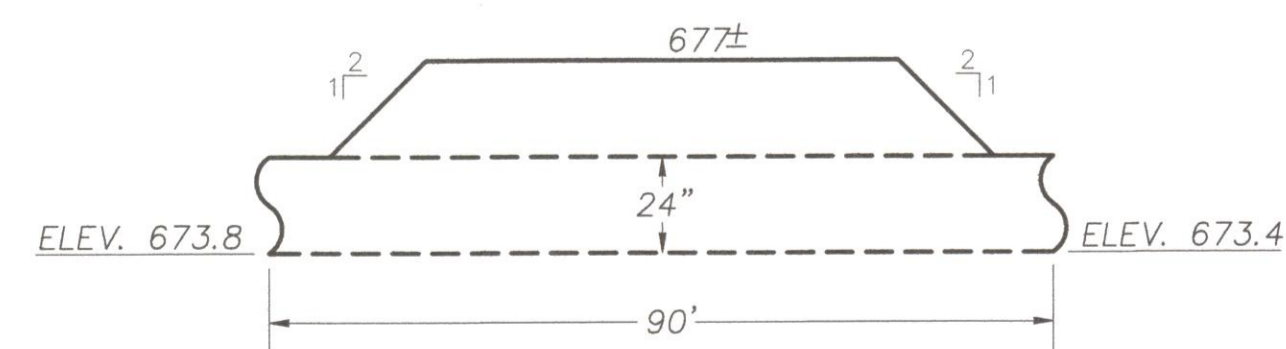
TYPICAL CROSS SECTION
COLLECTOR DITCH "8"
STA. 0+00 - 11+50
NOT TO SCALE



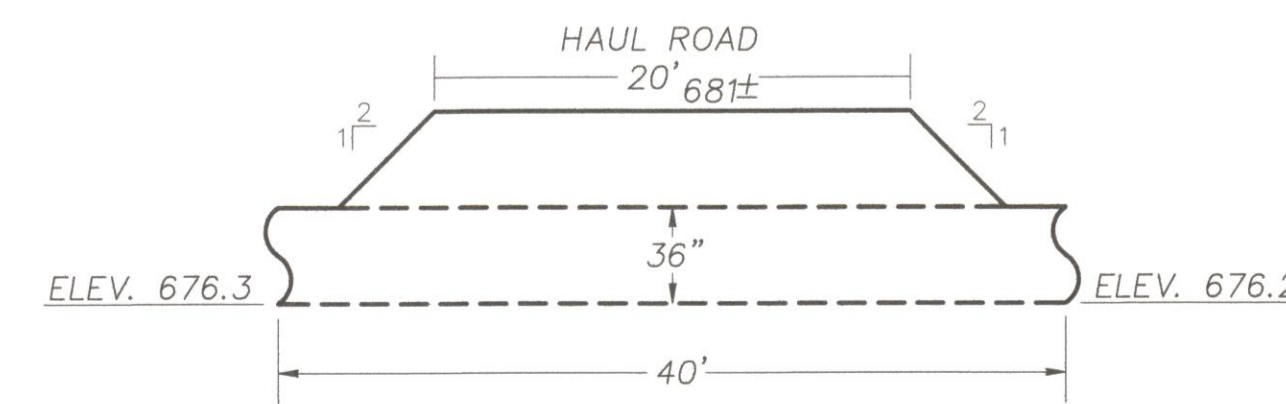
TYPICAL CROSS SECTION
COLLECTOR DITCH "8"
STA. 11+50 - 28+00
NOT TO SCALE



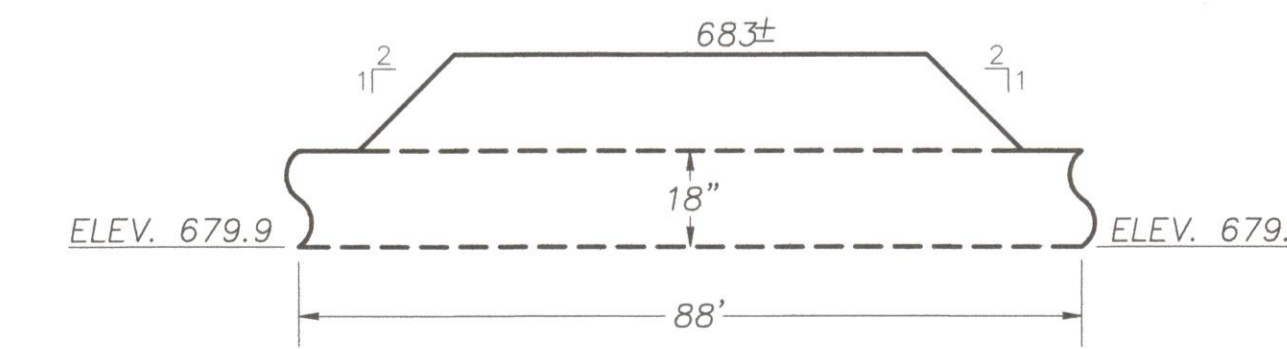
TYPICAL CROSS SECTION
COLLECTOR DITCH "8"
STA. 28+00 - 49+12
NOT TO SCALE



TYPICAL CROSS SECTION
COLLECTOR DITCH #5
CULVERT STA. 3+84 - 4+74
NOT TO SCALE



TYPICAL CROSS SECTION
COLLECTOR DITCH #6
CULVERT STA. 13+65 - 14+00
NOT TO SCALE



TYPICAL CROSS SECTION
COLLECTOR DITCH #7
CULVERT STA. 0+52 - 1+40
NOT TO SCALE

RECEIVED
DEPT. OF NATURAL RESOURCES
SPRINGFIELD
JUL 30 2014

OFFICE OF MINES & MINERALS
LAND RECLAMATION DIVISION

T.18N.-R.14W. SEC.26&35,
VERMILION COUNTY, IL

SUNRISE COAL, LLC
1183 EAST CANVASBACK DR. TERRE HAUTE, IN 47802
COLLECTOR DITCHES #5, #6, #7, & #8
PLAN, PROFILE, & CROSS SECTIONS

MINE: BULLDOG PERMIT: #429
DATE: JUNE, 2012 CHECKED BY:

2	3/3/14	JN	ENR COMPLETENESS REVIEW RESPONSES	SCALE: AS SHOWN	MAP: P-5
1	9/24/13	JN	ENR COMPLETENESS REVIEW RESPONSES	MIDWEST RECLAMATION RESOURCES INC.	P.O. BOX 1845
NO.	DATE	BY	DESCRIPTION	MURPHYSBORO, IL 62966	618-687-5500
PERMIT # 429 REVISIONS				FILE: DETAILS.DWG	