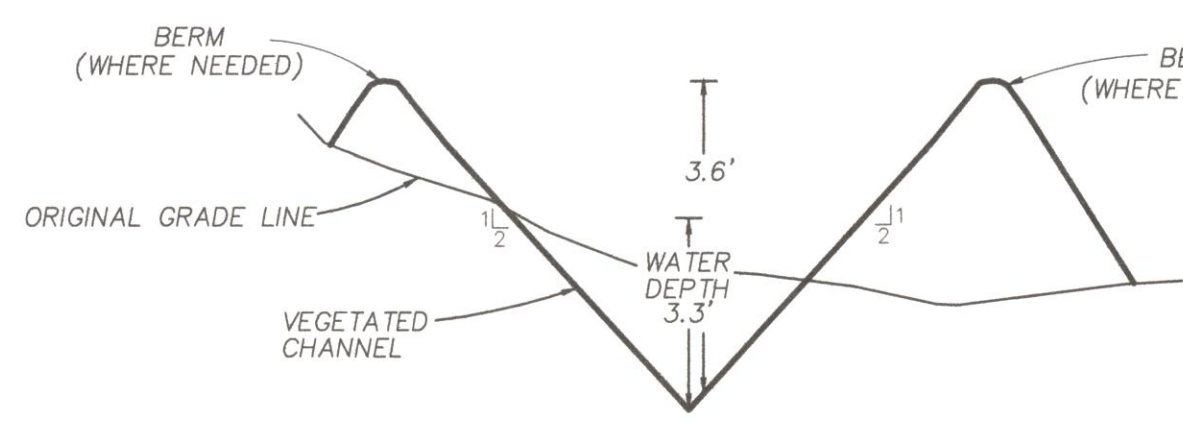
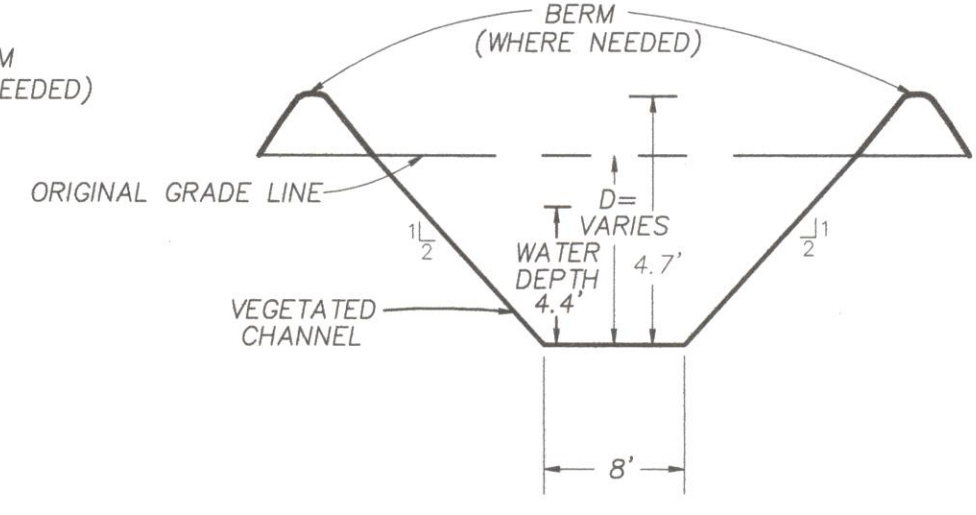


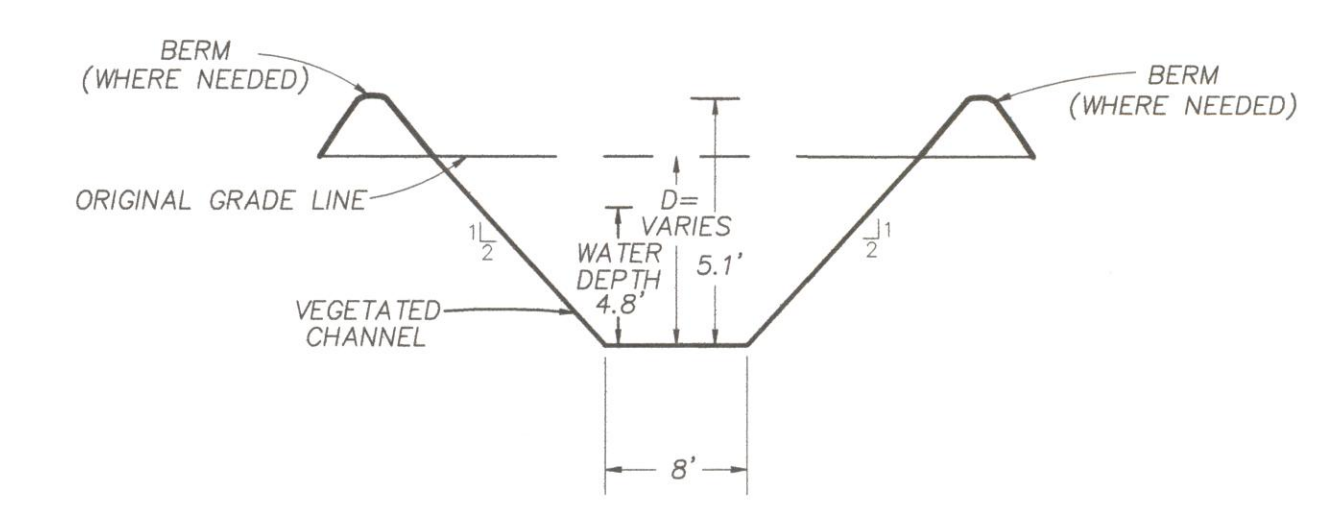
PROFILE COLLECTOR DITCH #1
SCALE: 1" = 200' HORIZ.
1" = 10' VERT.



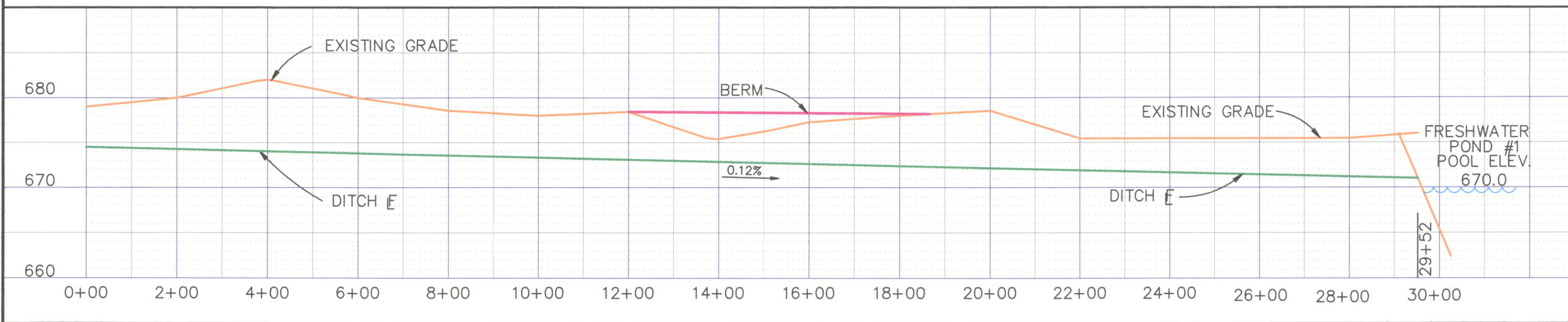
TYPICAL CROSS SECTION
COLLECTOR DITCH #1
STA. 0+00 - 21+65
NOT TO SCALE



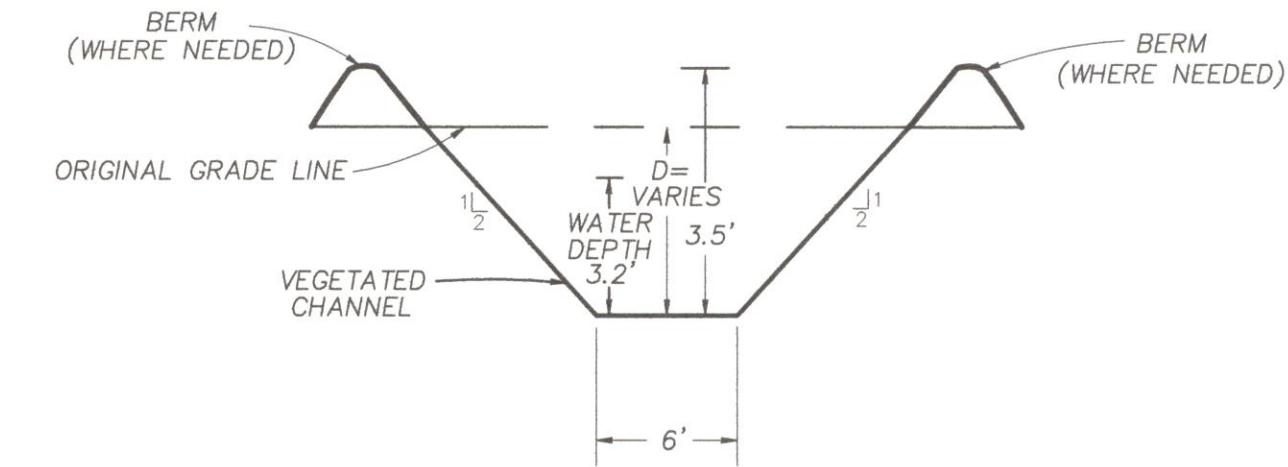
TYPICAL CROSS SECTION
COLLECTOR DITCH #2
STA. 0+00 - 16+50
NOT TO SCALE



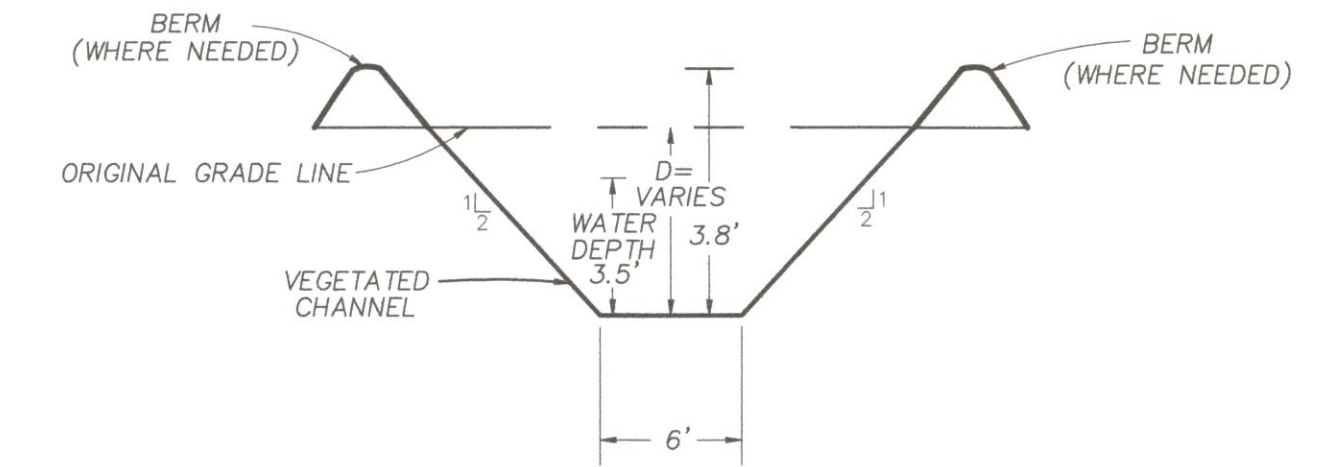
TYPICAL CROSS SECTION
COLLECTOR DITCH #2
STA. 16+50 - 29+52
NOT TO SCALE



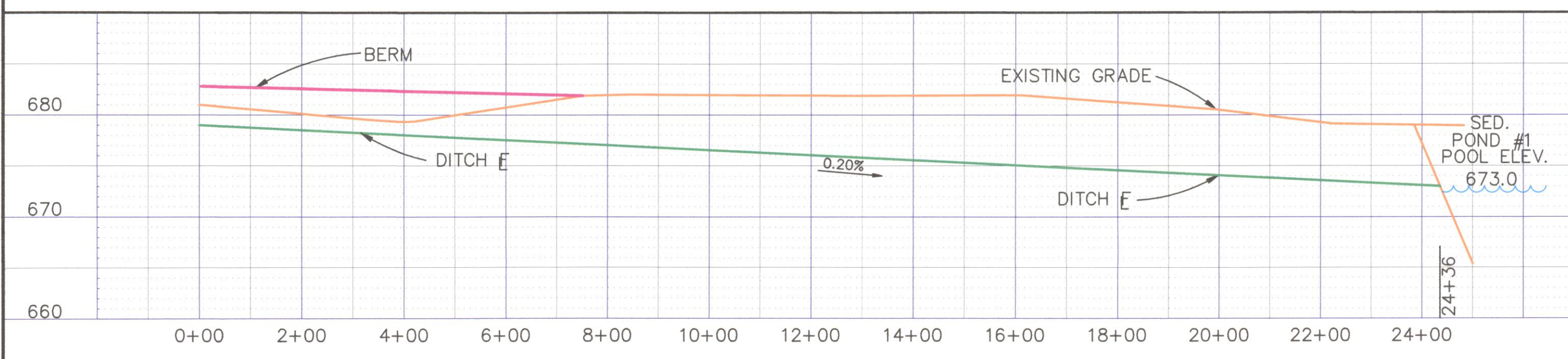
PROFILE COLLECTOR DITCH #2
SCALE: 1" = 200' HORIZ.
1" = 10' VERT.



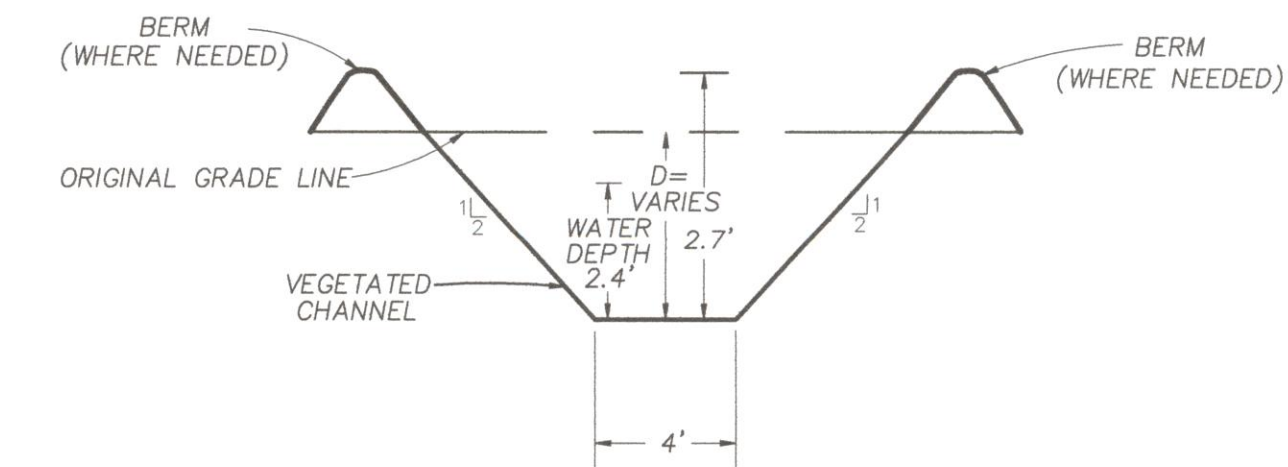
TYPICAL CROSS SECTION
COLLECTOR DITCH #3
STA. 0+00 - 12+50
NOT TO SCALE



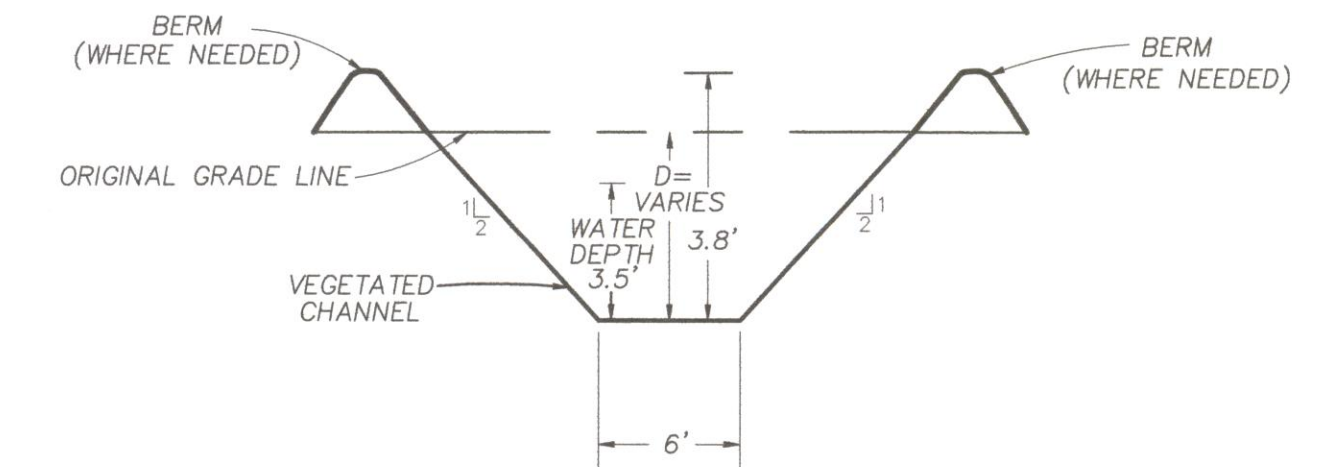
TYPICAL CROSS SECTION
COLLECTOR DITCH #3
STA. 12+50 - 24+36
NOT TO SCALE



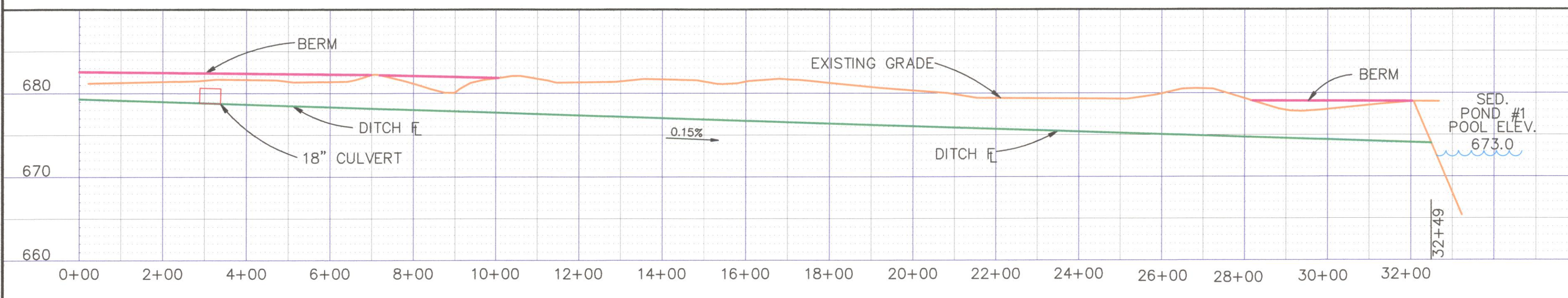
PROFILE COLLECTOR DITCH #3
SCALE: 1" = 200' HORIZ.
1" = 10' VERT.



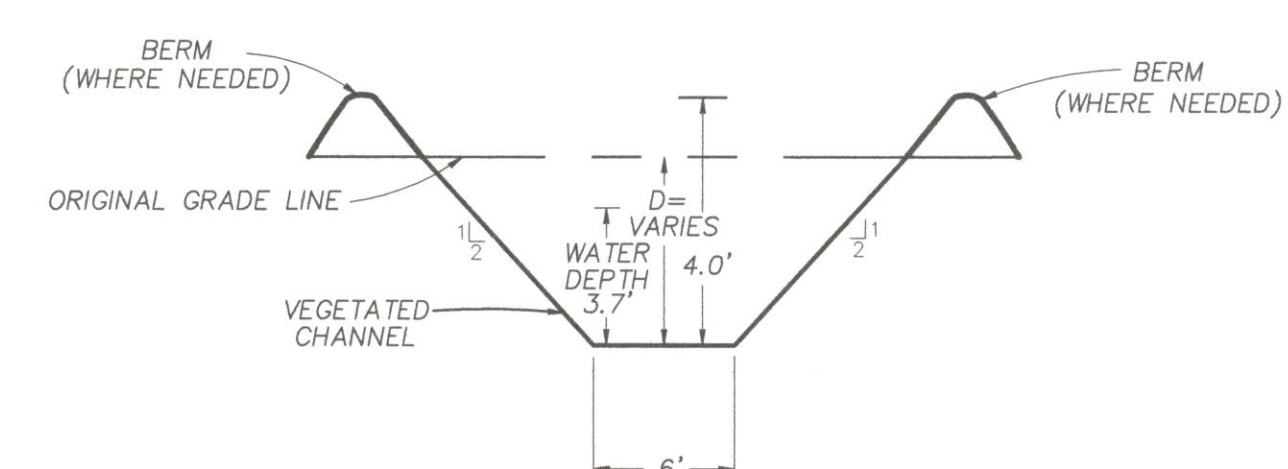
TYPICAL CROSS SECTION
COLLECTOR DITCH #4
STA. 0+00 - 2+88
NOT TO SCALE



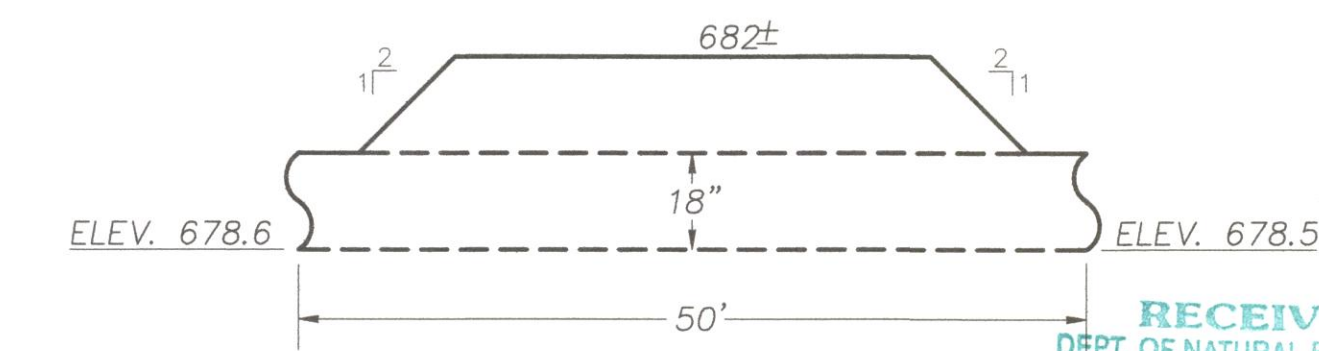
TYPICAL CROSS SECTION
COLLECTOR DITCH #4
STA. 3+38 - 13+50
NOT TO SCALE



PROFILE COLLECTOR DITCH #4
SCALE: 1" = 200' HORIZ.
1" = 10' VERT.



TYPICAL CROSS SECTION
COLLECTOR DITCH #4
STA. 13+50 - 32+49
NOT TO SCALE



TYPICAL CROSS SECTION
COLLECTOR DITCH #4
CULVERT STA. 2+88 - 3+38
NOT TO SCALE

T.18N.-R.14W. SEC.26&35,
VERMILION COUNTY, IL

SUNRISE COAL, LLC
1183 EAST CANVASBACK DR. TERRE HAUTE, IN 47802

COLLECTOR DITCHES #1, #2, #3, & #4
PLAN, PROFILE, & CROSS SECTIONS

MINE: BULLDOG	PERMIT: #429
DATE: JUNE, 2012	CHECKED BY:
SCALE: AS SHOWN	MAP: P-4

RECEIVED
DEPT. OF NATURAL RESOURCES
SPRINGFIELD
JUL 30 2014
OFFICE OF MINES & MINERALS
LAND RECLAMATION DIVISION

1	10/24/12	IN	BNP COMPLETENESS REVIEW RESPONSES
NO.	DATE	BY	DESCRIPTION
PERMIT # 429 REVISIONS			

FILE: DETAILS.DWG