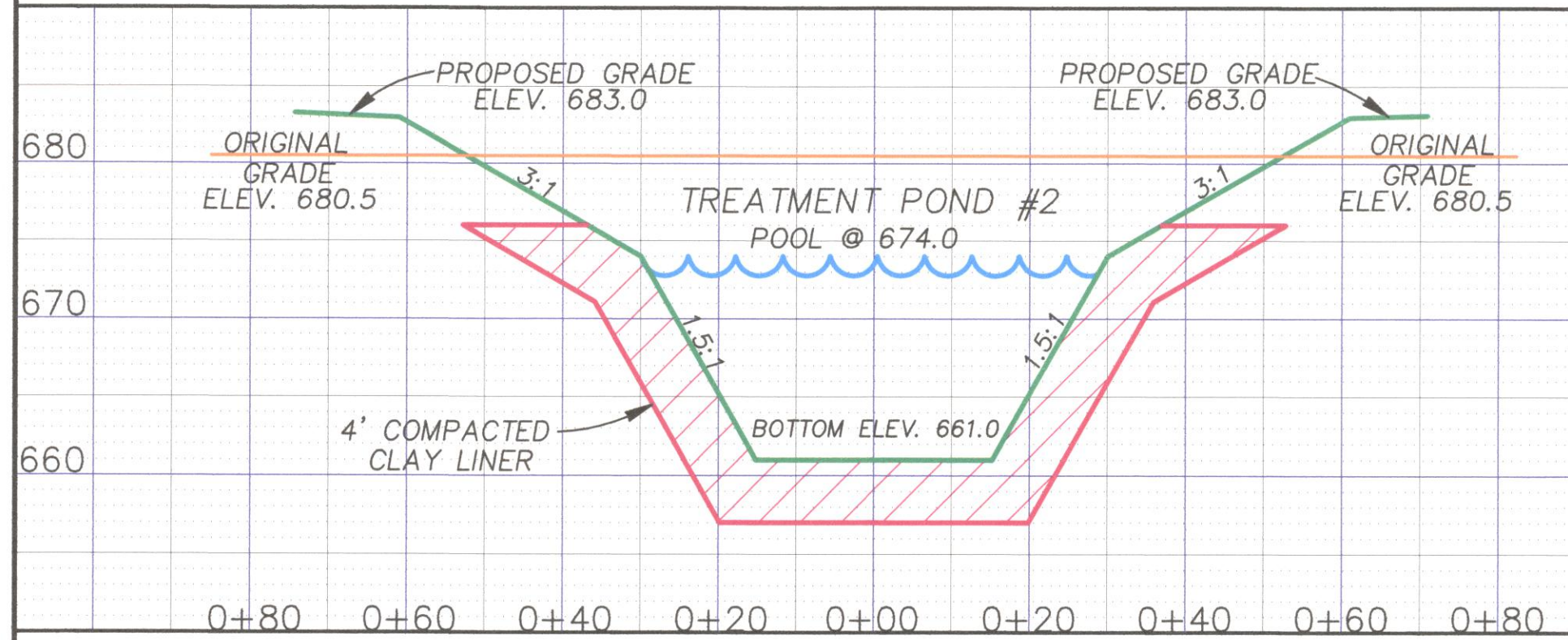
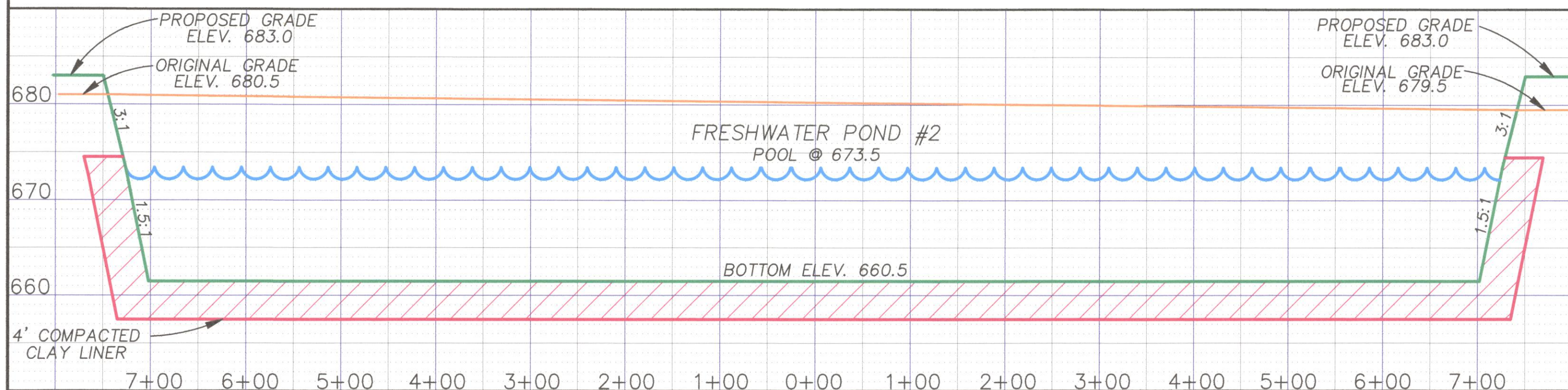


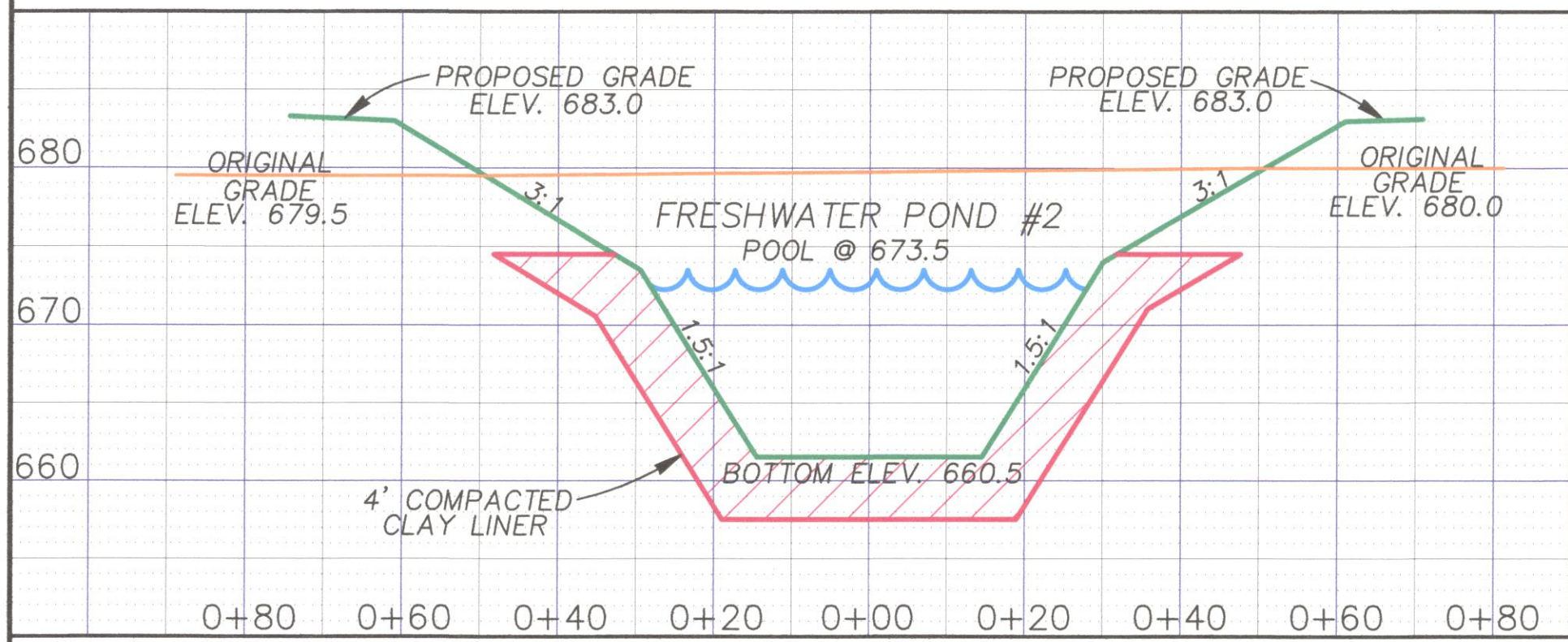
SECTION A-A
TREATMENT POND #2
SCALE: 1" = 10' VERT.
1" = 100' HORIZ.



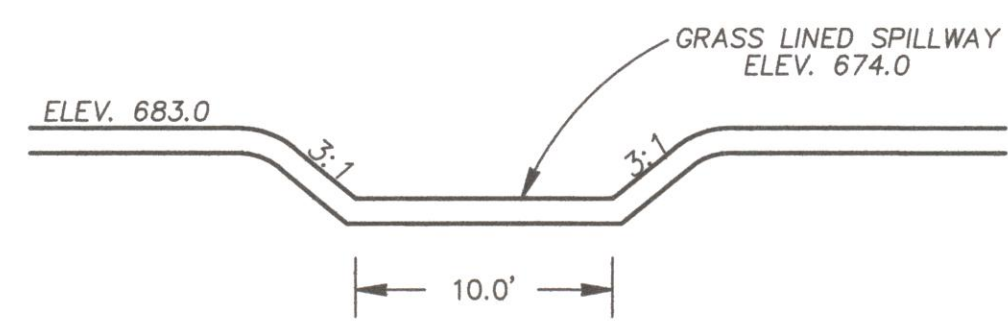
SECTION B-B
TREATMENT POND #2
SCALE: 1" = 10' VERT.
1" = 20' HORIZ.



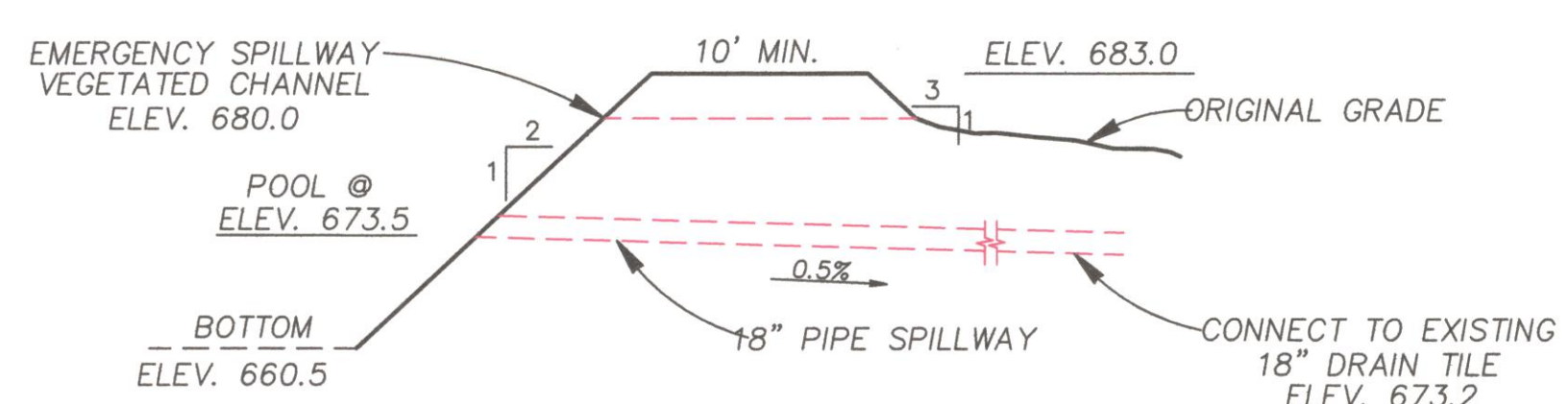
SECTION A-A
FRESHWATER POND #2
SCALE: 1" = 10' VERT.
1" = 100' HORIZ.



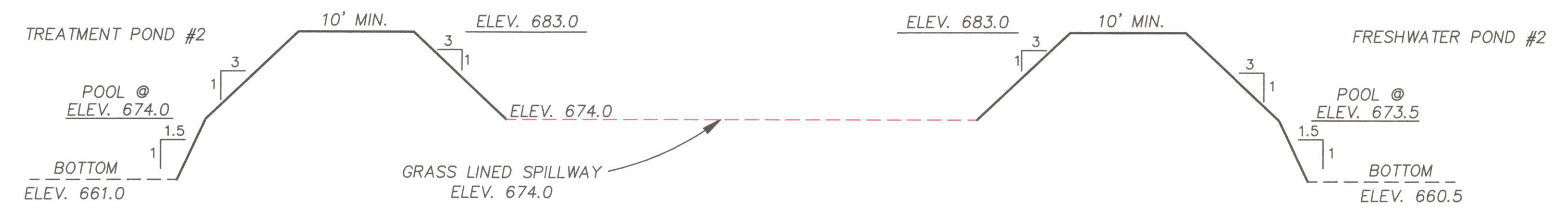
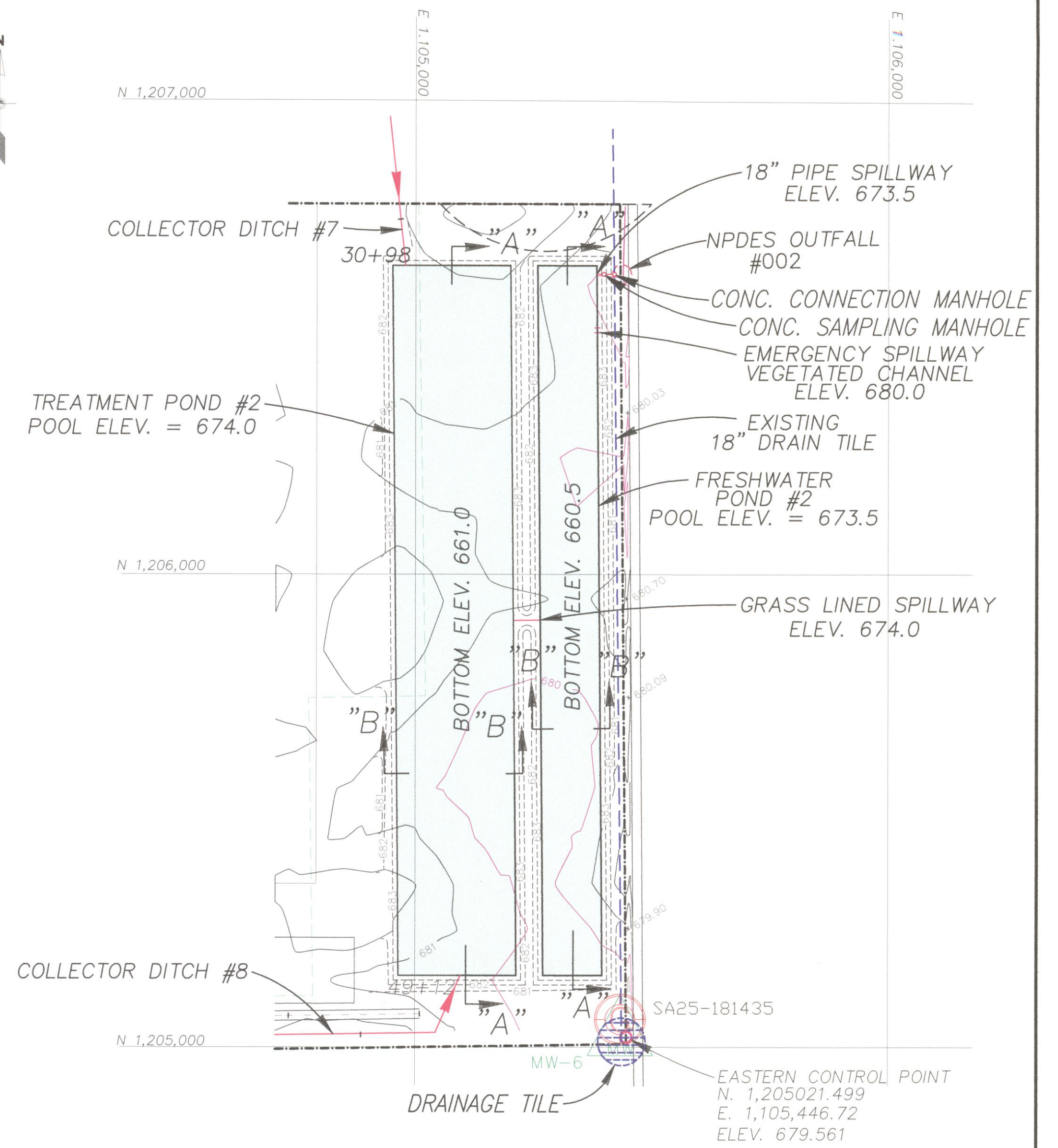
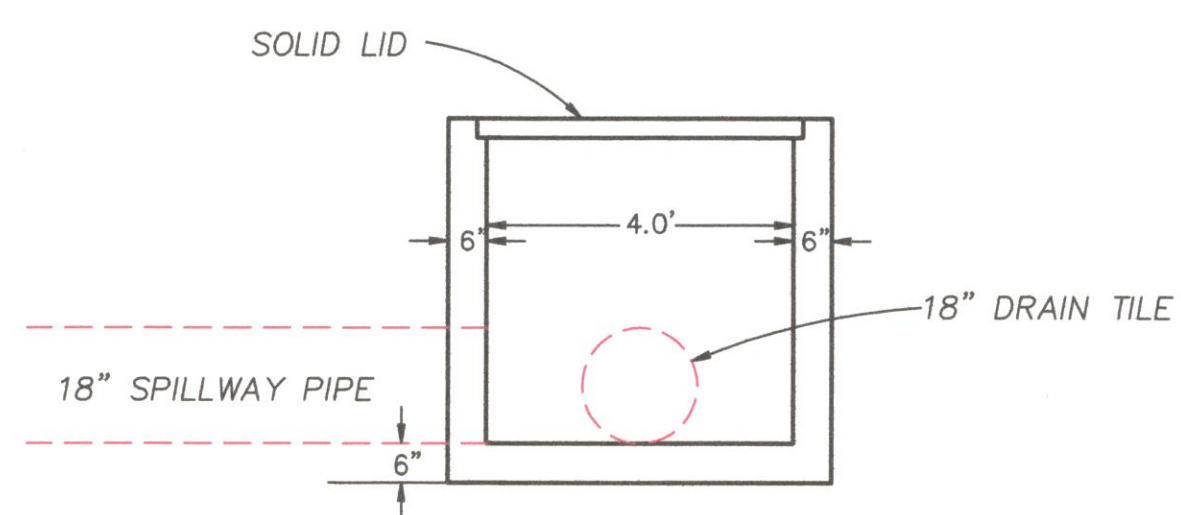
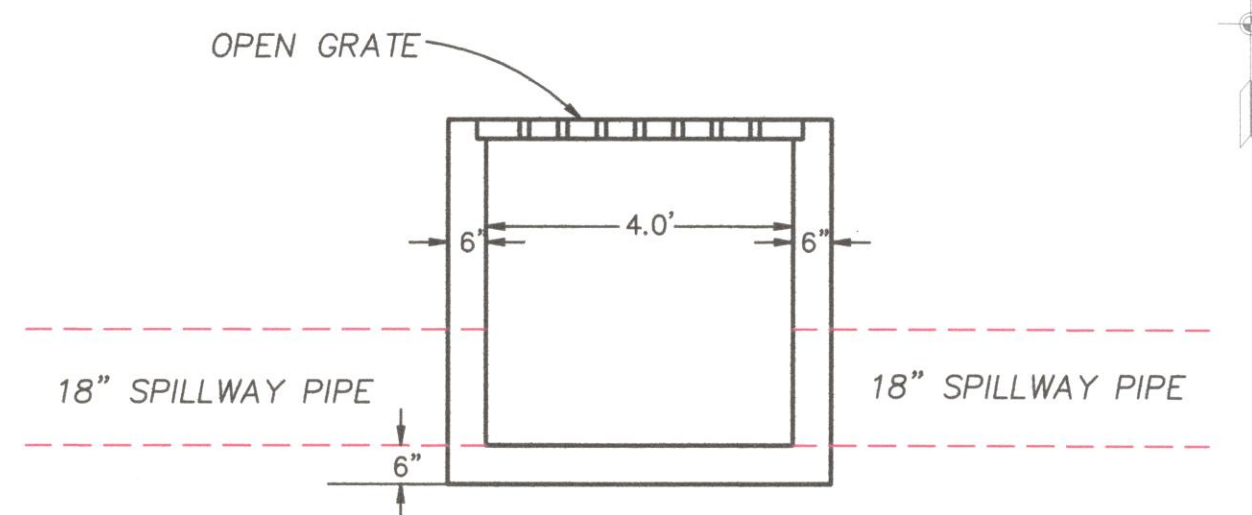
SECTION B-B
FRESHWATER POND #2
SCALE: 1" = 10' VERT.
1" = 20' HORIZ.



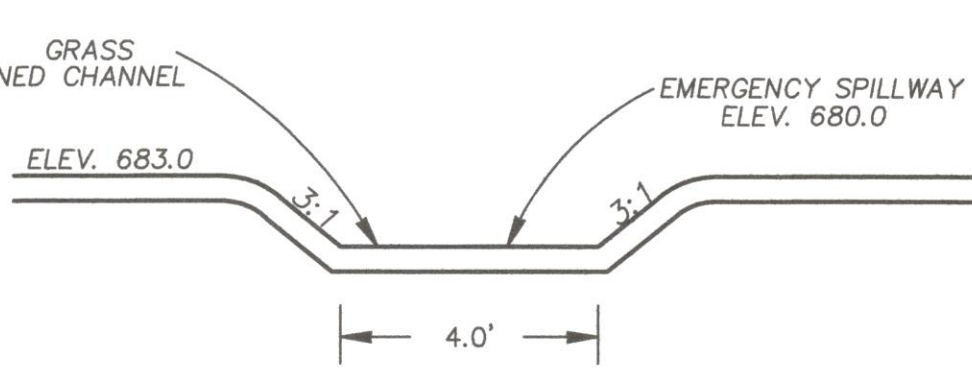
TREATMENT POND #2
GRASS LINED SPILLWAY TYPICAL X-SECT
NOT TO SCALE



FRESHWATER POND #2
DAM TYPICAL X-SECT
NOT TO SCALE



TREATMENT POND #2
DAM TYPICAL X-SECT
NOT TO SCALE



FRESHWATER POND #2
EMERGENCY SPILLWAY TYPICAL X-SECT
NOT TO SCALE

RECEIVED
DEPT. OF NATURAL RESOURCES
SPRINGFIELD
JUL 30 2014
OFFICE OF MINES & MINERALS
LAND RECLAMATION DIVISION

T.18N.-R.14W. SEC.26&35,
VERMILION COUNTY, IL
SUNRISE COAL, LLC
1183 EAST CANVASBACK DR. TERRE HAUTE, IN 47802
FRESHWATER POND#2 & TREATMENT POND#2
PLAN, PROFILE, & CROSS SECTIONS

NO.	DATE	BY	DESCRIPTION	SCALE	AS SHOWN	MAD: P-3
1	10/24/13	JW	DNV COMPLETENESS REVIEW RESPONSES			
2	1/13/14	JW	DNV COMPLETENESS REVIEW RESPONSES			
PERMIT # 429 REVISIONS				FILE: DETAILS.DWG		