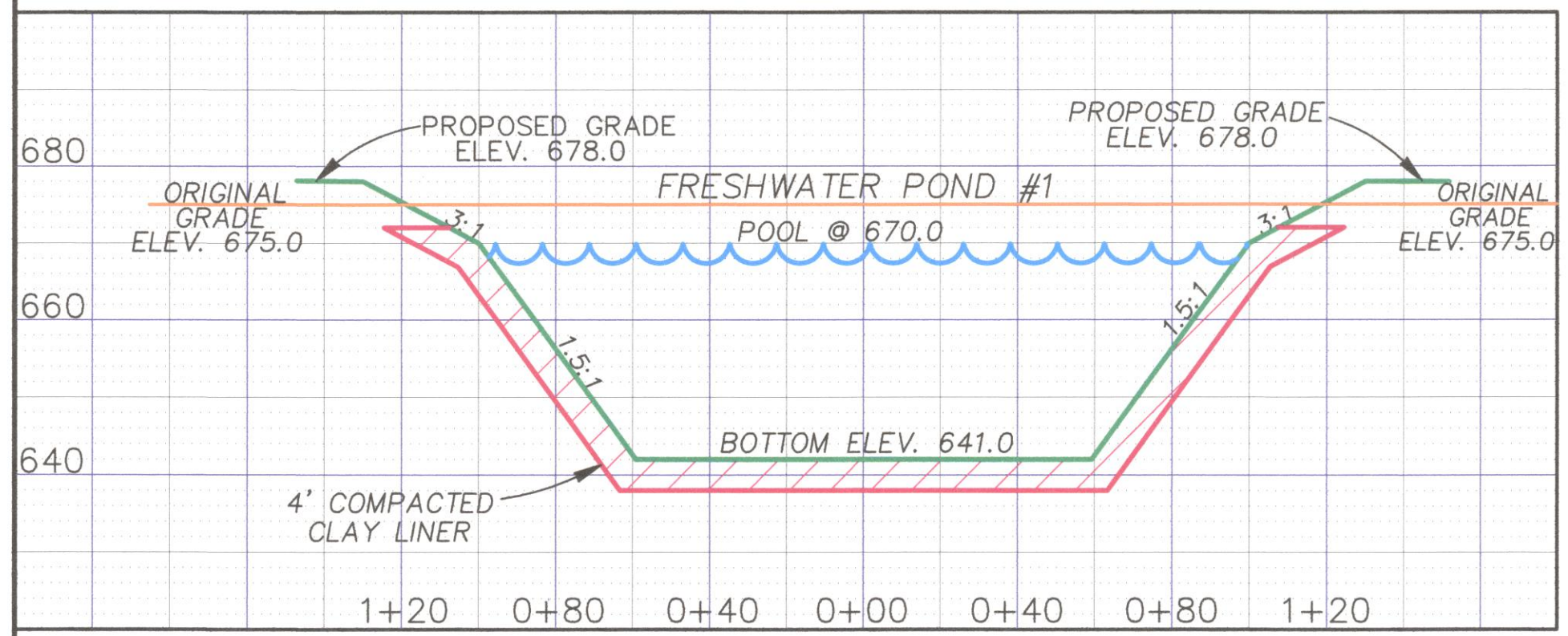
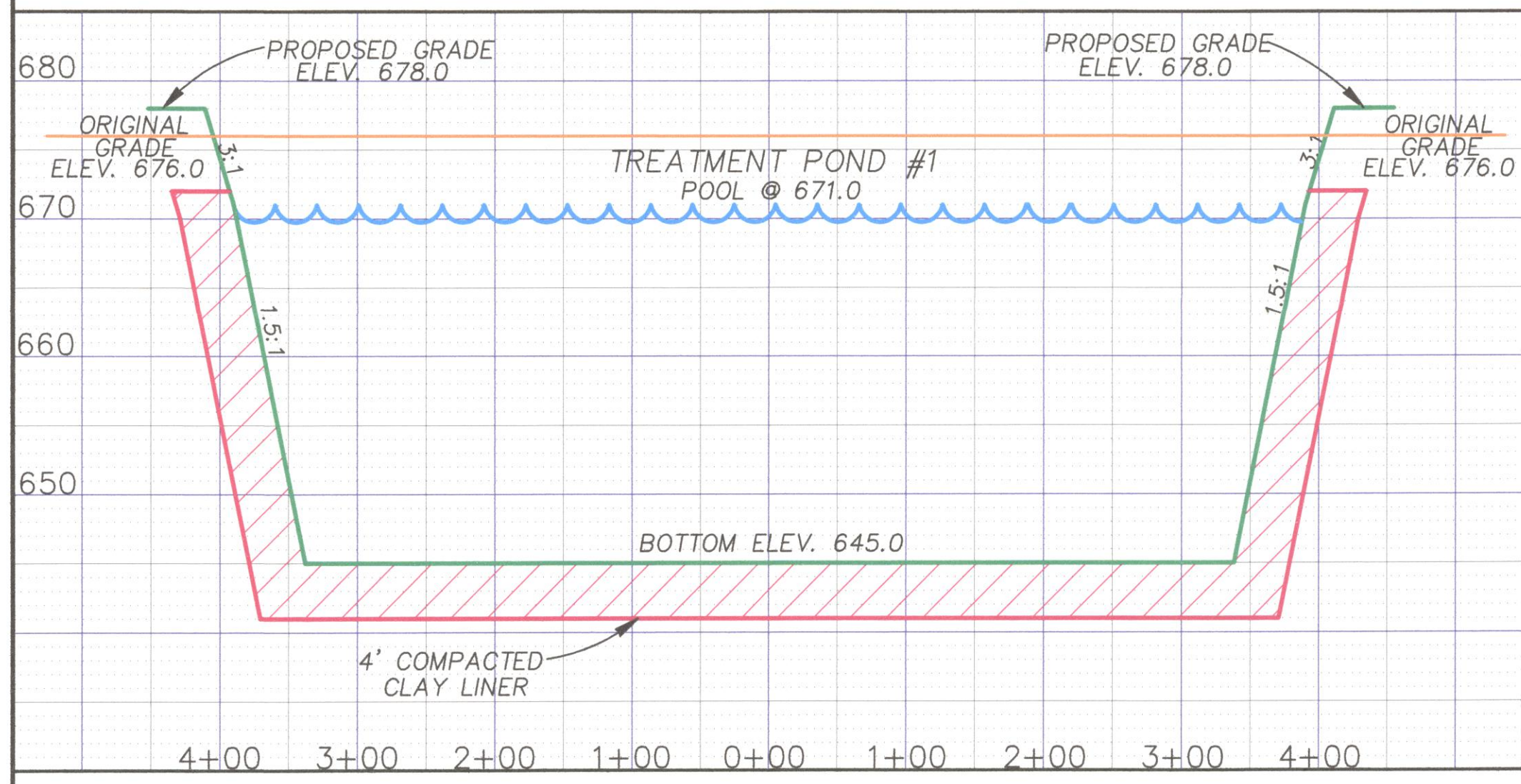


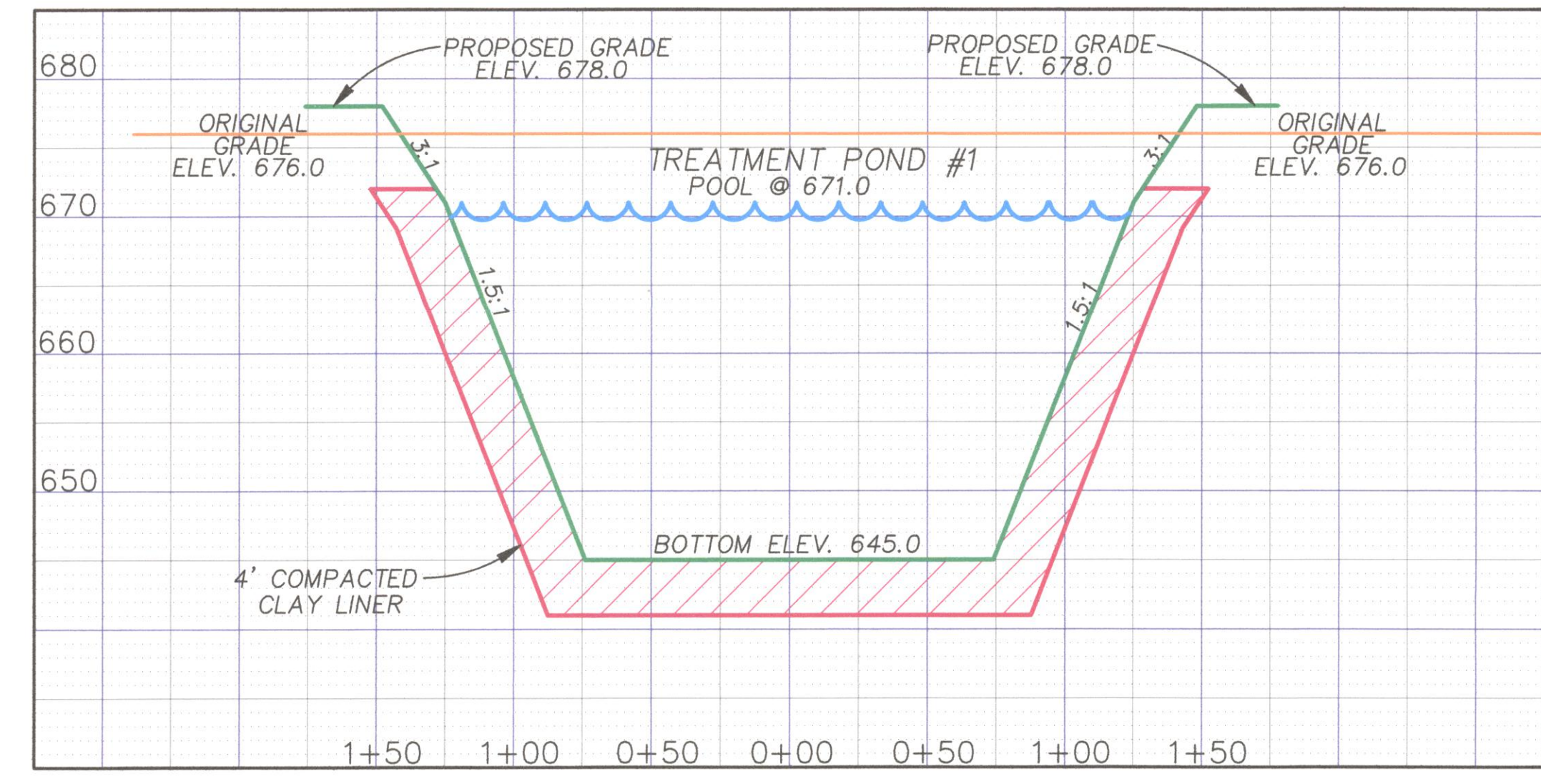
SECTION A-A
FRESHWATER POND #1
SCALE: 1" = 20' VERT.
1" = 100' HORIZ.



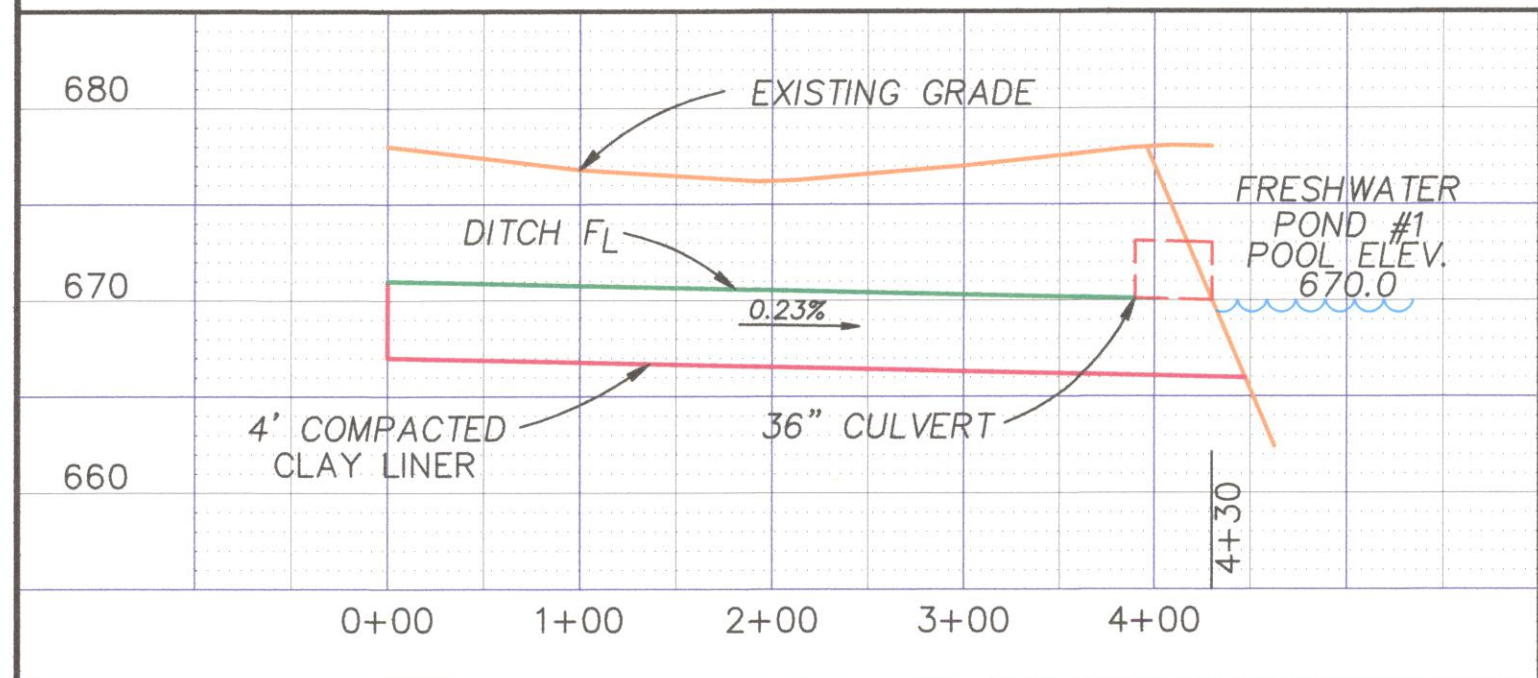
SECTION B-B
FRESHWATER POND #1
SCALE: 1" = 10' VERT.
1" = 20' HORIZ.



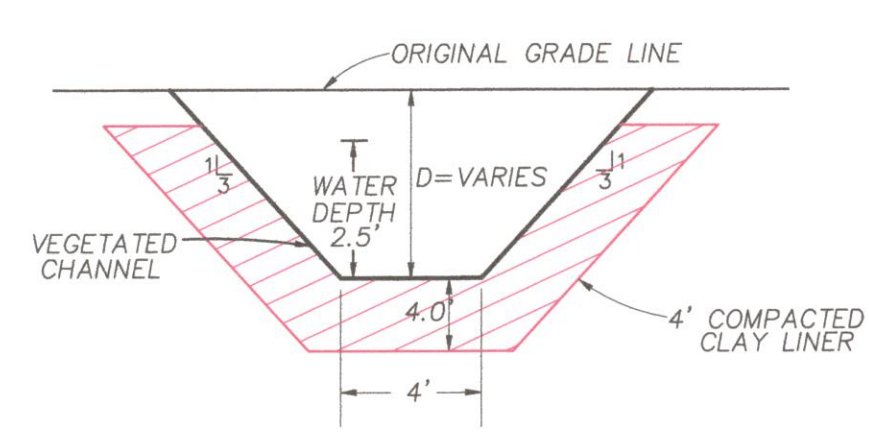
SECTION A-A
TREATMENT POND #1
SCALE: 1" = 10' VERT.
1" = 100' HORIZ.



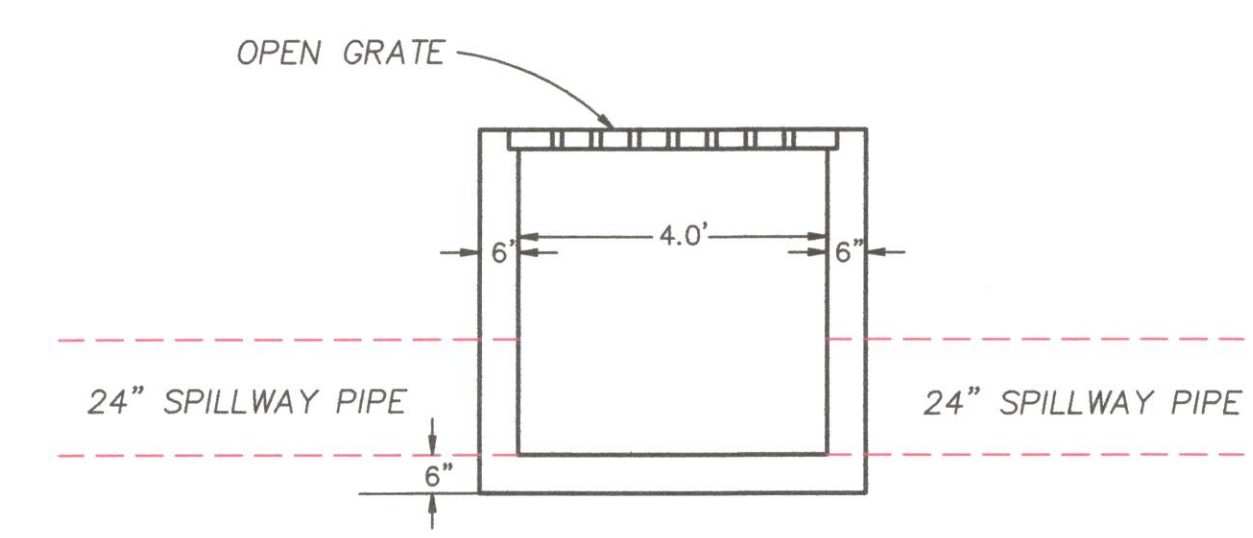
SECTION B-B
TREATMENT POND #1
SCALE: 1" = 10' VERT.
1" = 50' HORIZ.



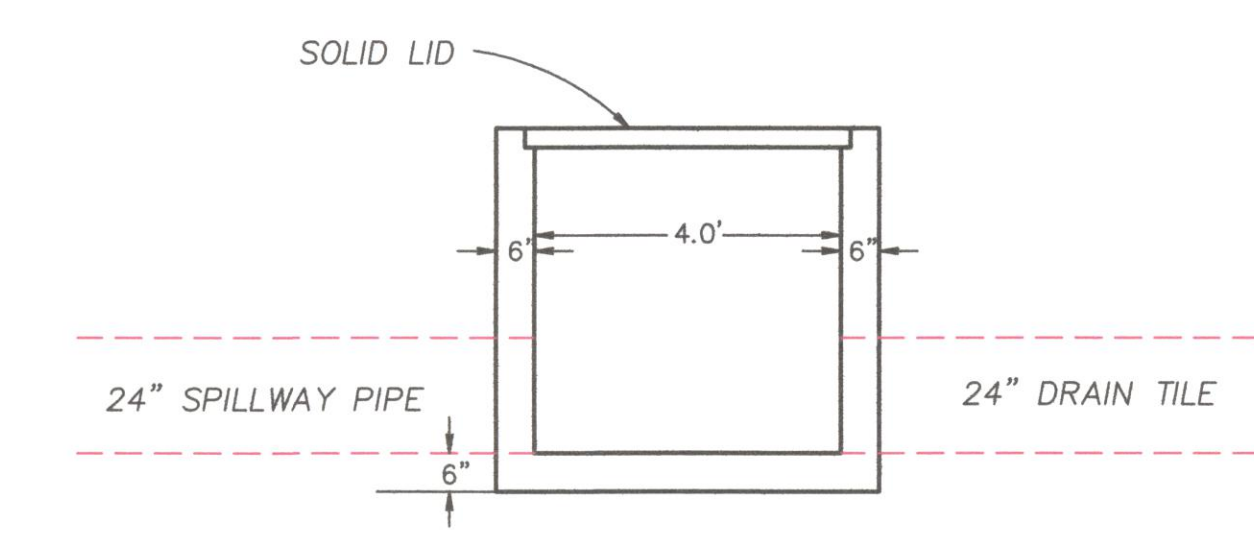
PROFILE SPILLWAY DITCH
TREATMENT POND #1
SCALE: 1" = 10' VERT.
1" = 100' HORIZ.



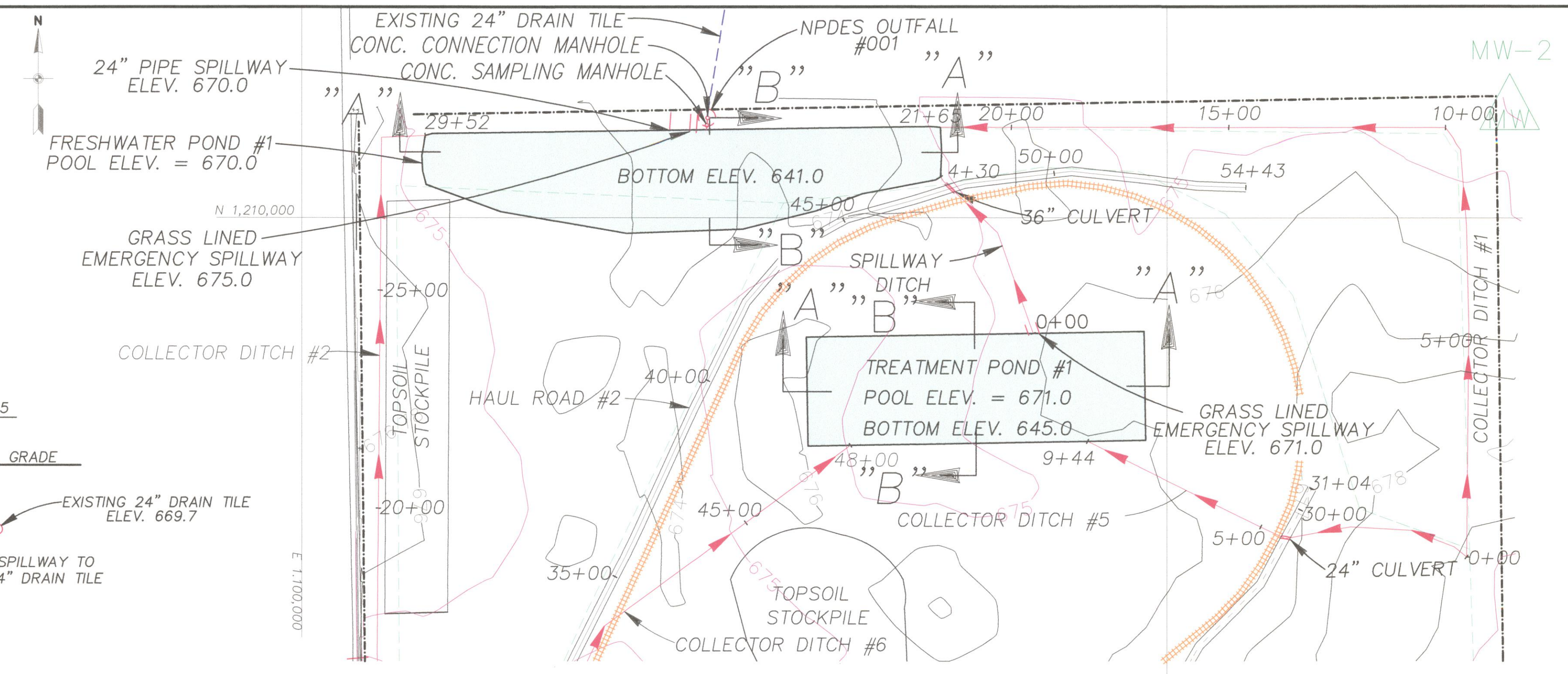
TYPICAL CROSS SECTION
TREATMENT POND #1 SPILLWAY DITCH
STA. 0+00 - 3+90
NOT TO SCALE



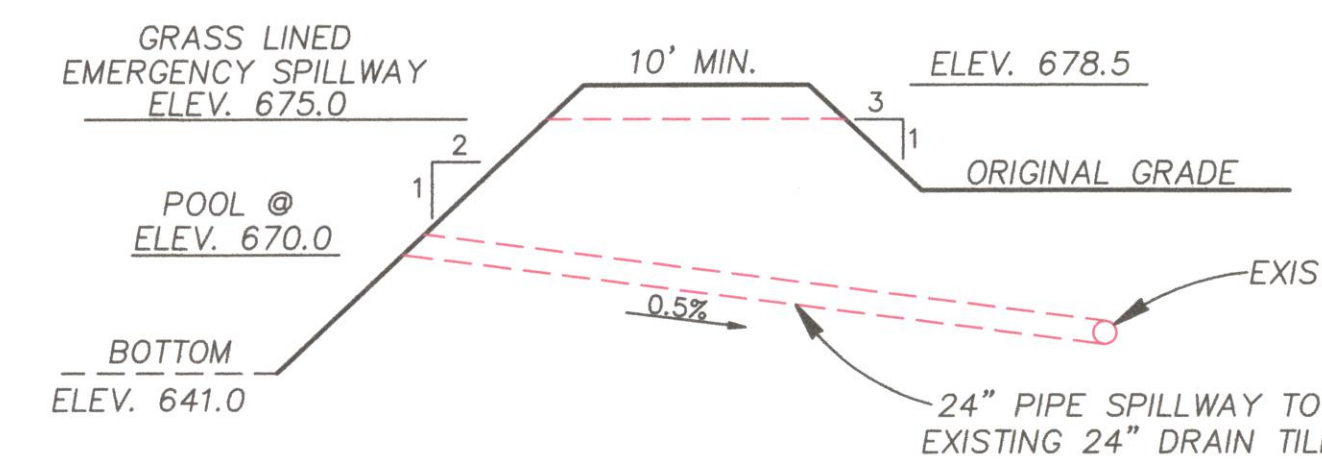
SECTION A-A
CONCRETE SAMPLING MANHOLE
NOT TO SCALE



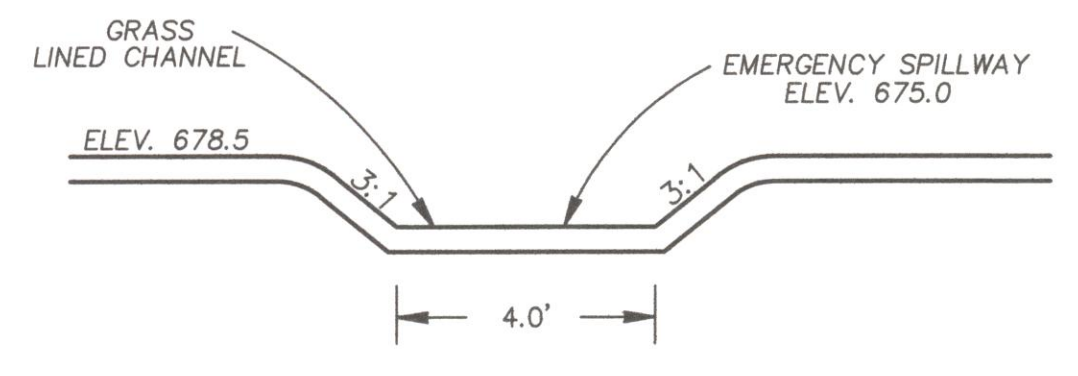
SECTION A-A
CONCRETE CONNECTION MANHOLE
NOT TO SCALE



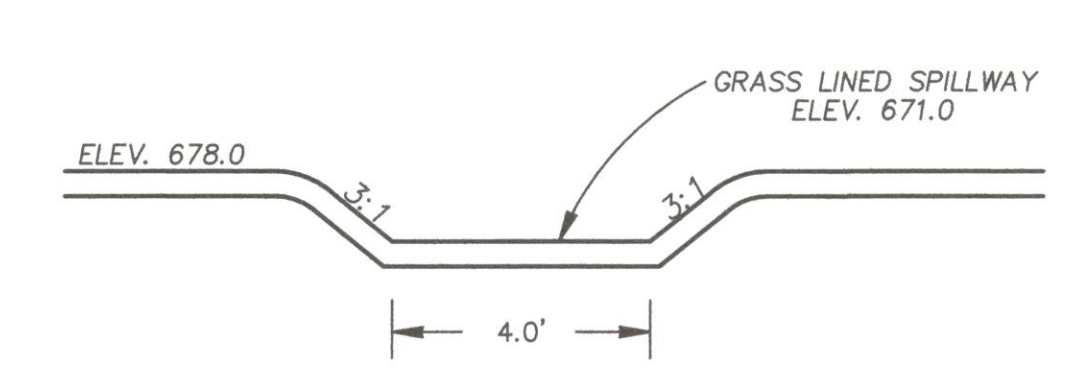
LOCATION MAP
SCALE: 1" = 200'



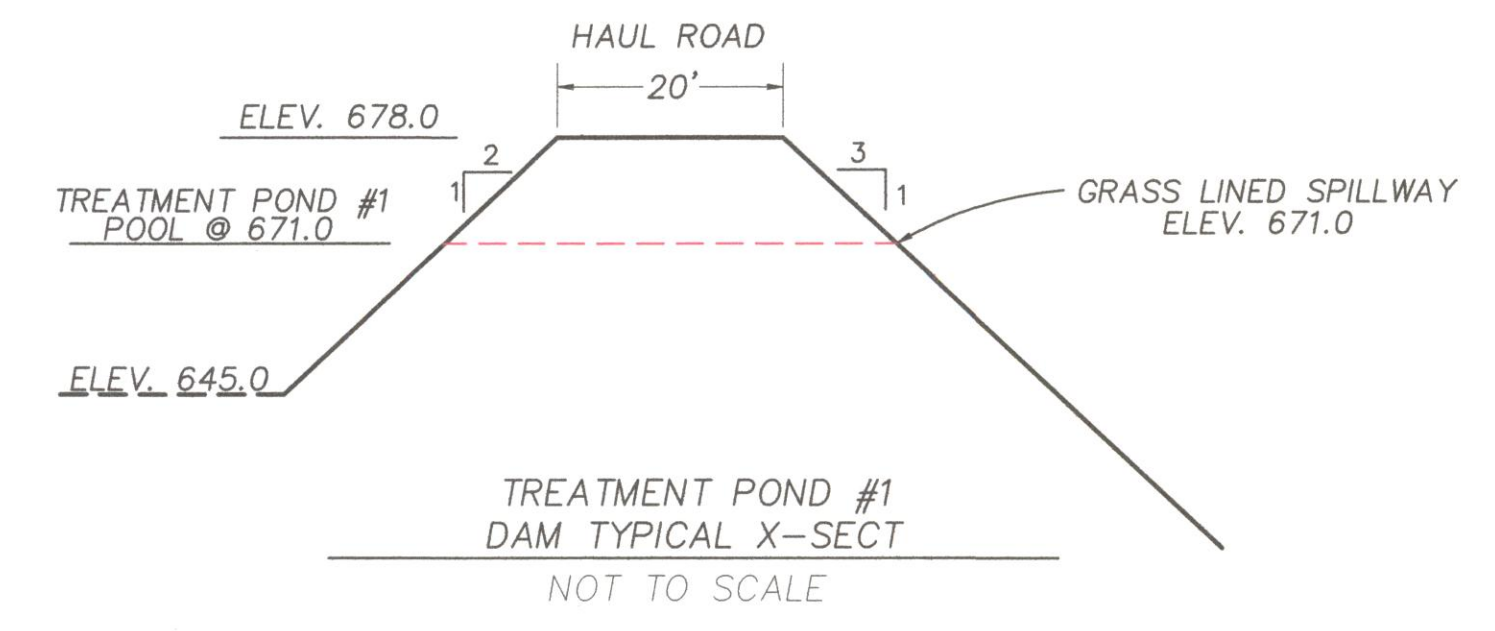
DAM TYPICAL X-SECT
FRESHWATER POND #1
NOT TO SCALE



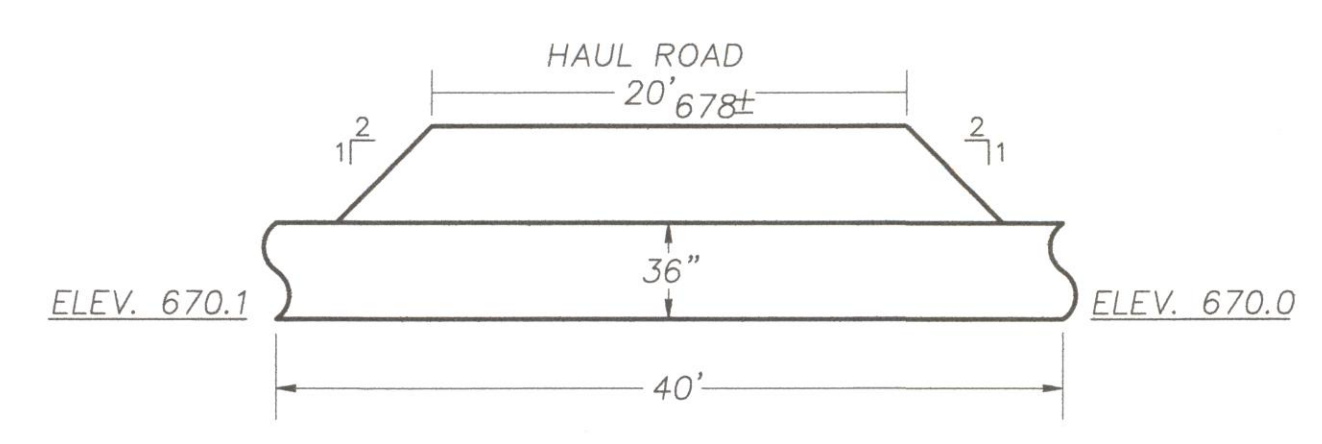
FRESHWATER POND #1
EMERGENCY SPILLWAY TYPICAL X-SECT
NOT TO SCALE



TREATMENT POND #1
GRASS LINED SPILLWAY TYPICAL X-SECT
NOT TO SCALE



TREATMENT POND #1
DAM TYPICAL X-SECT
NOT TO SCALE



TYPICAL CROSS SECTION
SPILLWAY DITCH
CULVERT STA. 3+90 - 4+30
NOT TO SCALE

RECEIVED
DEPT. OF NATURAL RESOURCES
SPRINGFIELD
JUL 30 2014
OFFICE OF MINES & MINERALS
LAND RECLAMATION DIVISION

T.18N.-R.14W. SEC.26&35,
VERMILION COUNTY, IL
SUNRISE COAL, LLC
1183 EAST CANVASBACK DR. TERRE HAUTE, IN 47802
FRESHWATER POND#1 & TREATMENT POND#1
PLAN, PROFILE & CROSS SECTIONS
MINE: BULLDOG PERMIT: #429
DATE: JUNE, 2012 CHECKED BY:
SCALE: AS SHOWN MAP: P-2
MIDWEST RECLAMATION RESOURCES INC.
P.O. BOX 1842
MURPHYSBORO, IL 62966
618-687-5590
FILE: DETAILS.DWG

NO.	DATE	BY	DESCRIPTION
2	3/3/14	JN	ENR COMPLETENESS REVIEW RESPONSES
1	10/24/13	JN	ENR COMPLETENESS REVIEW RESPONSES